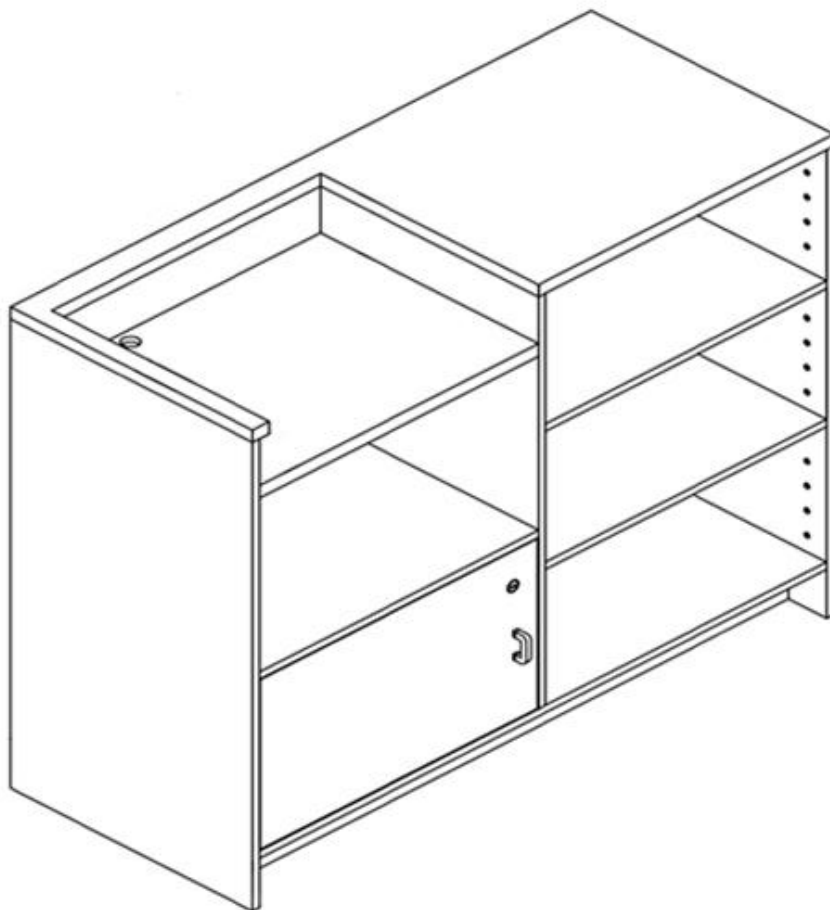


ASSEMBLY INSTRUCTIONS MANUAL

POS RETAIL KIOSK CHECK OUT SHOP COUNTER WITH TILT CUT OUT CT15-1200 1200X500X950MM



HARDWARE CONTENTS



AX50



BX50



CX8



DX1



EX1



FX1



GX2



HX1



IX2

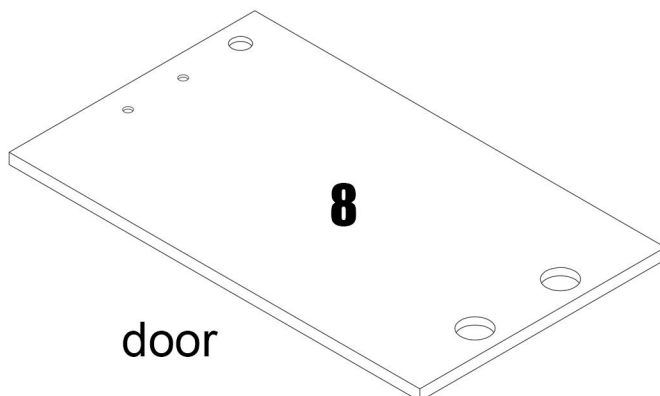
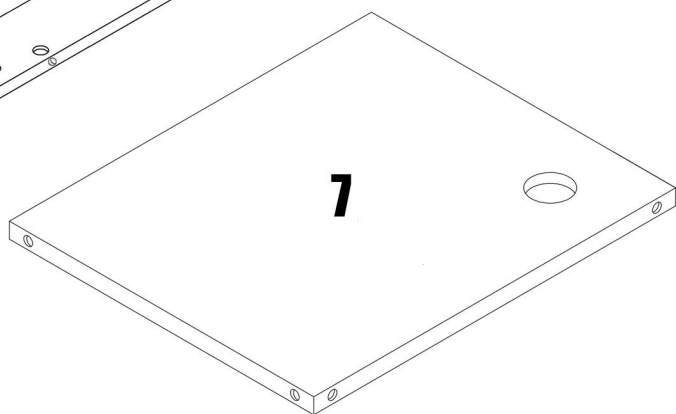
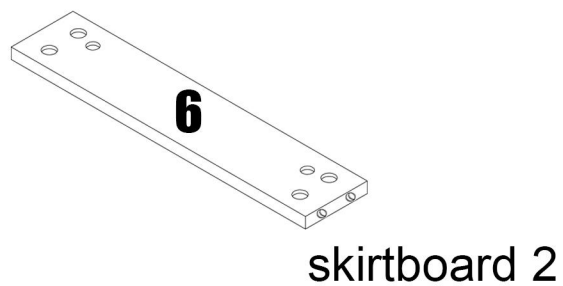
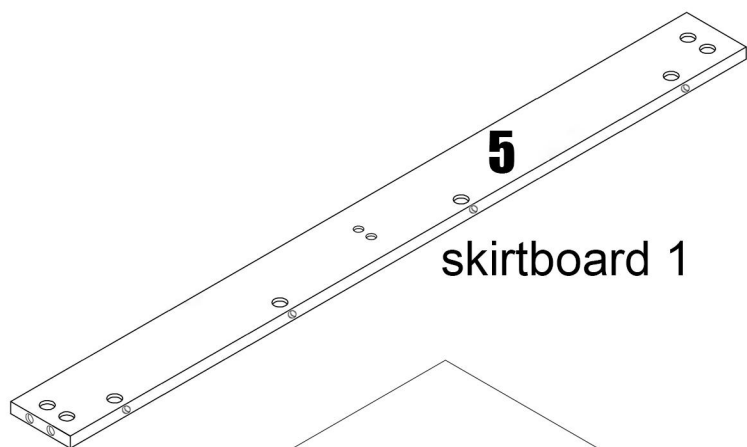
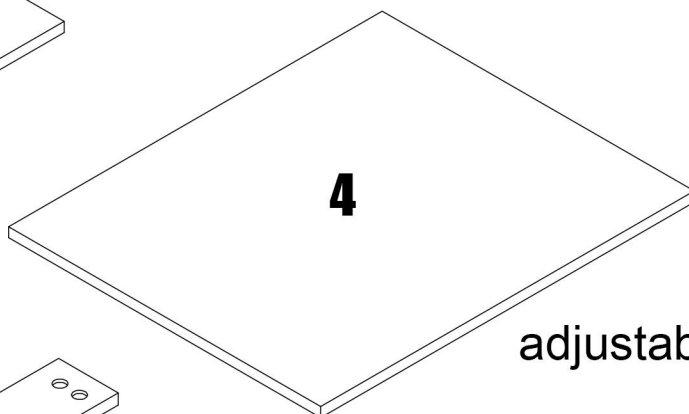
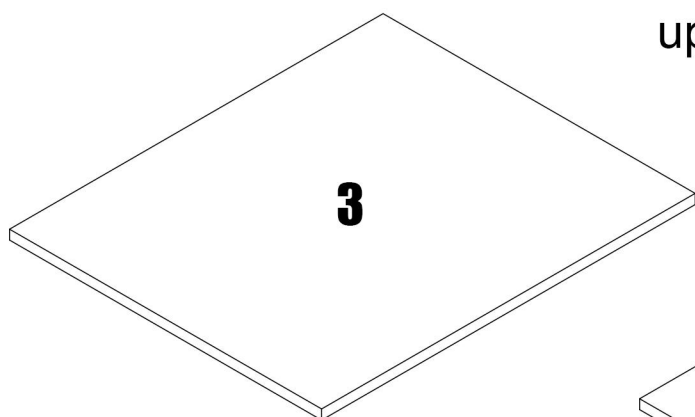
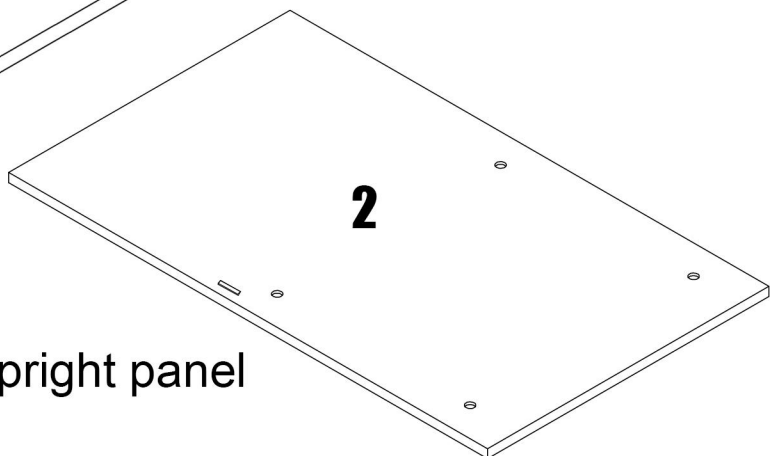
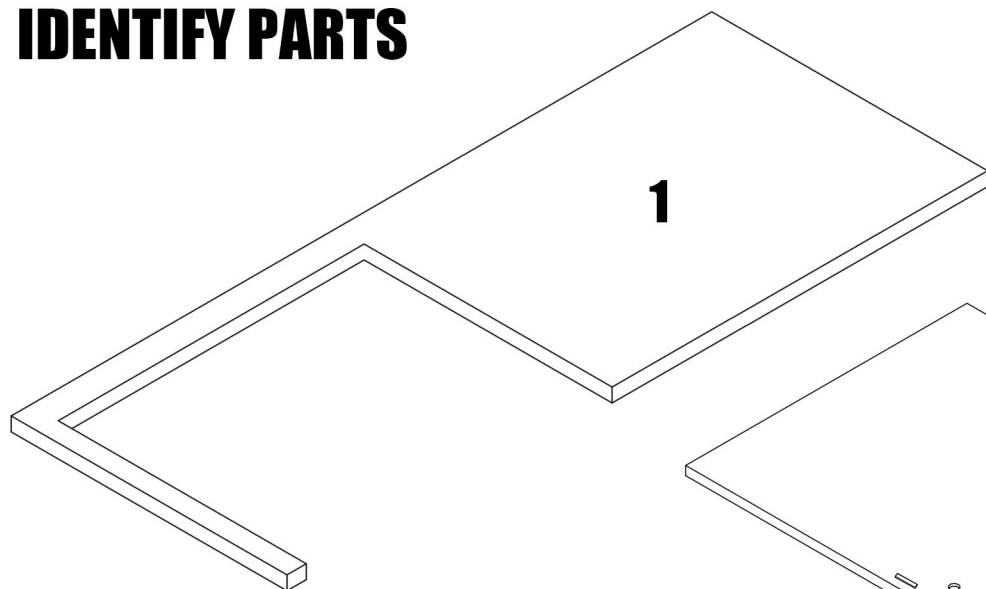


JX16

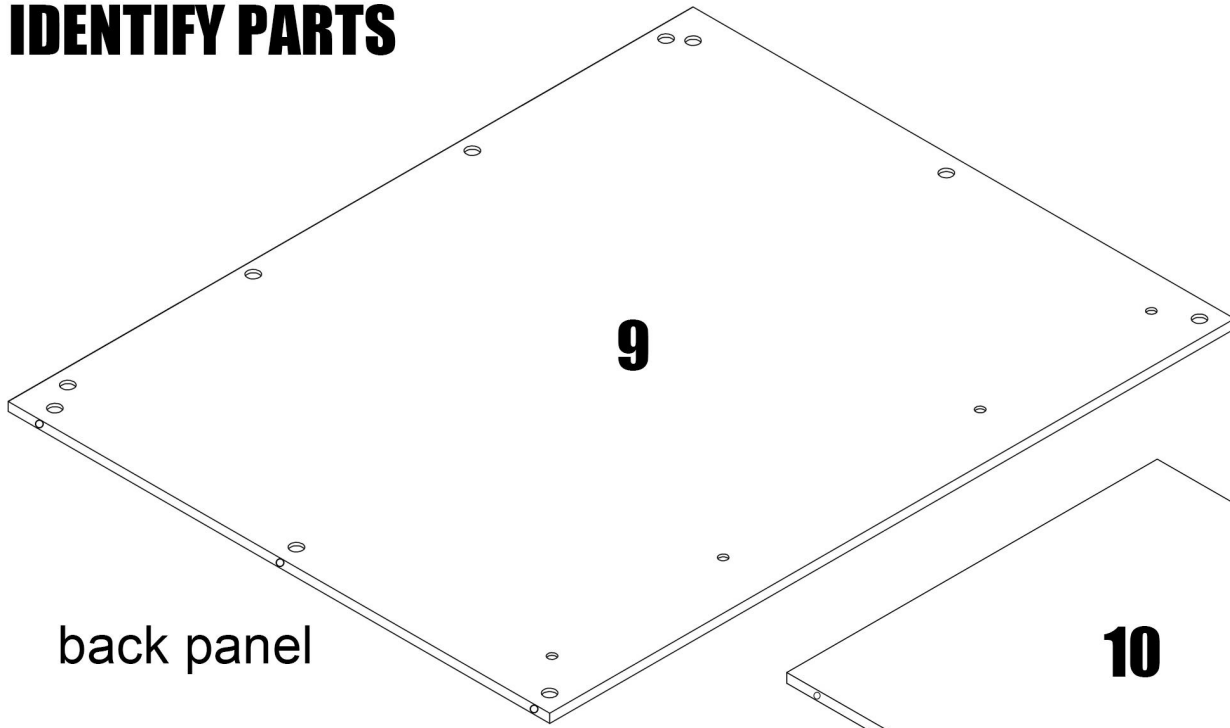


KX1

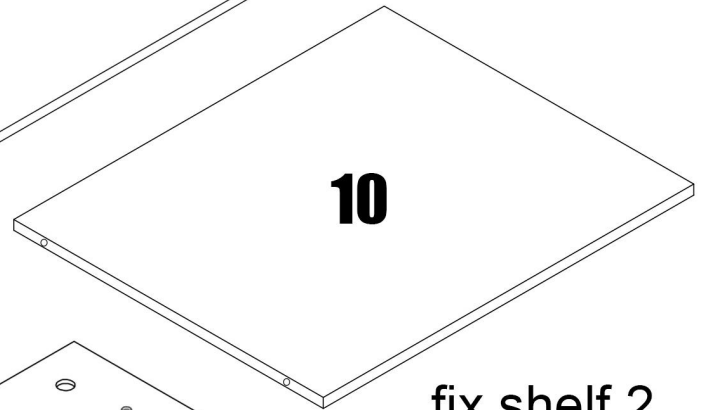
IDENTIFY PARTS



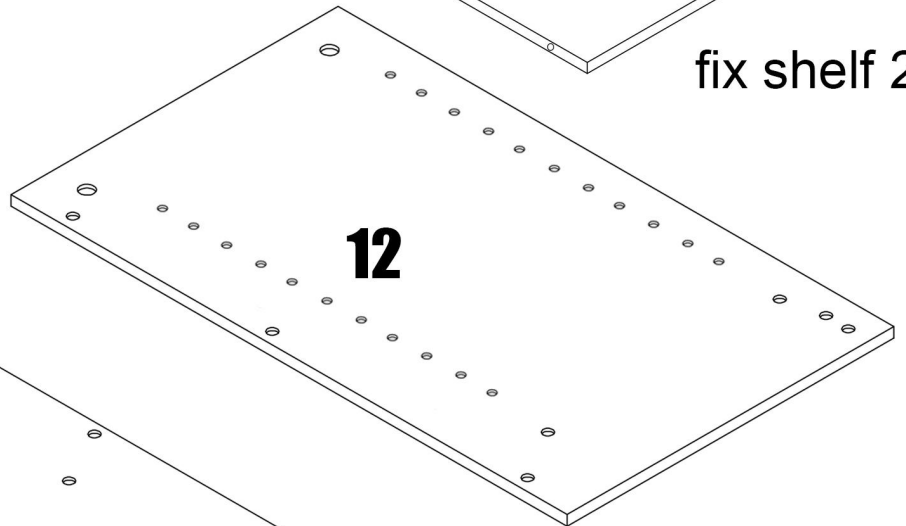
IDENTIFY PARTS



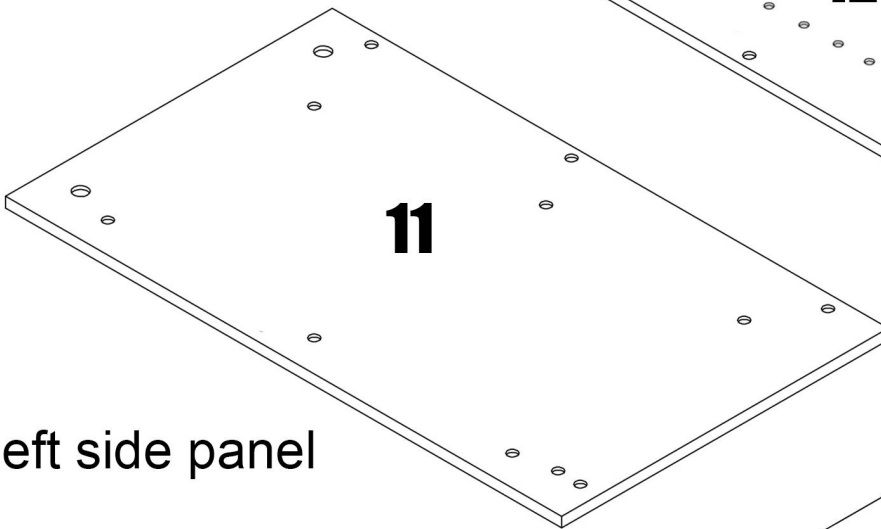
back panel



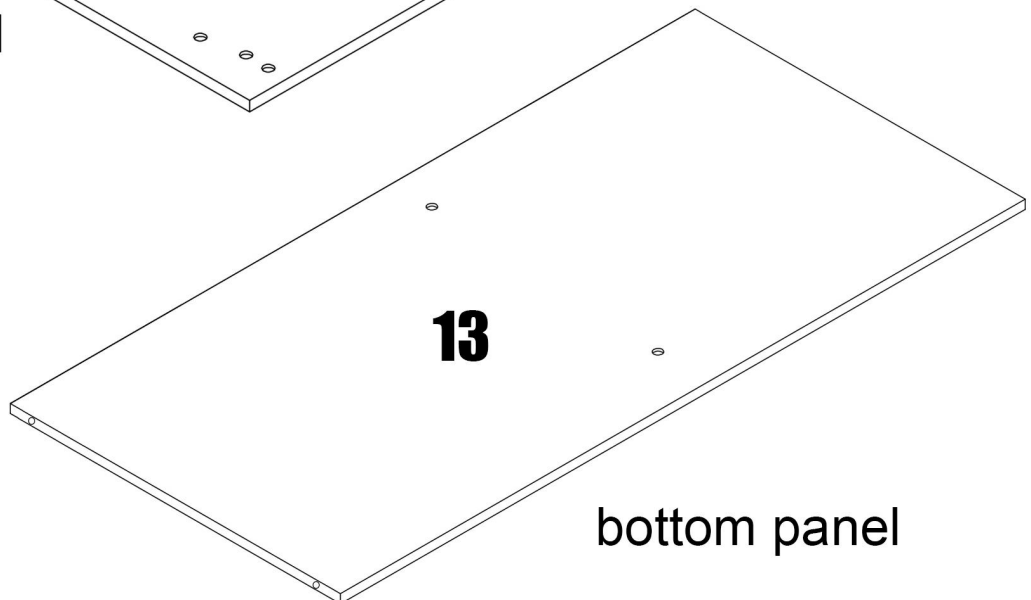
fix shelf 2



right side panel

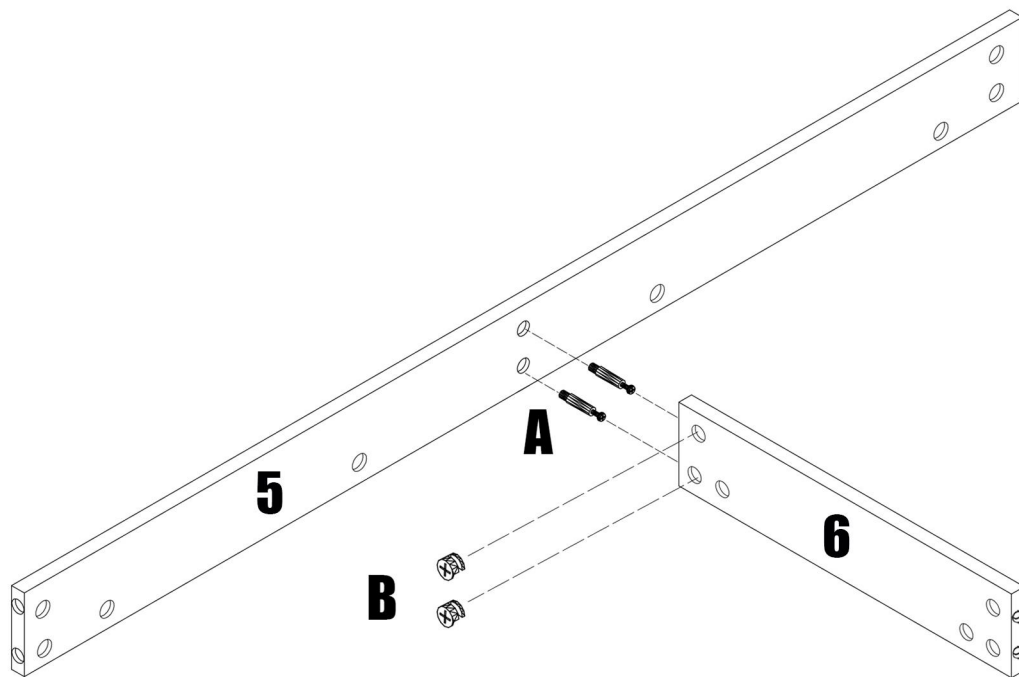


left side panel

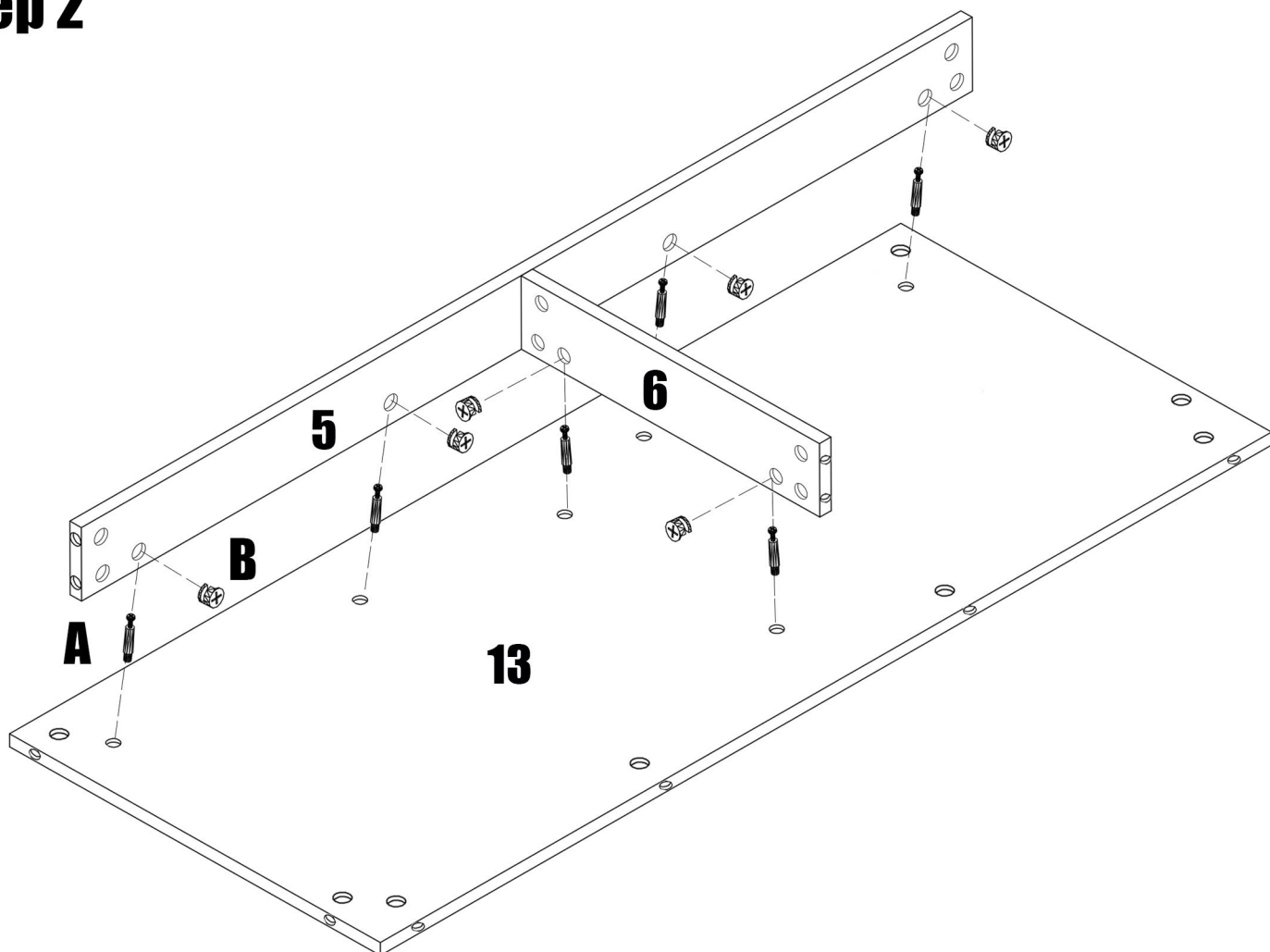


bottom panel

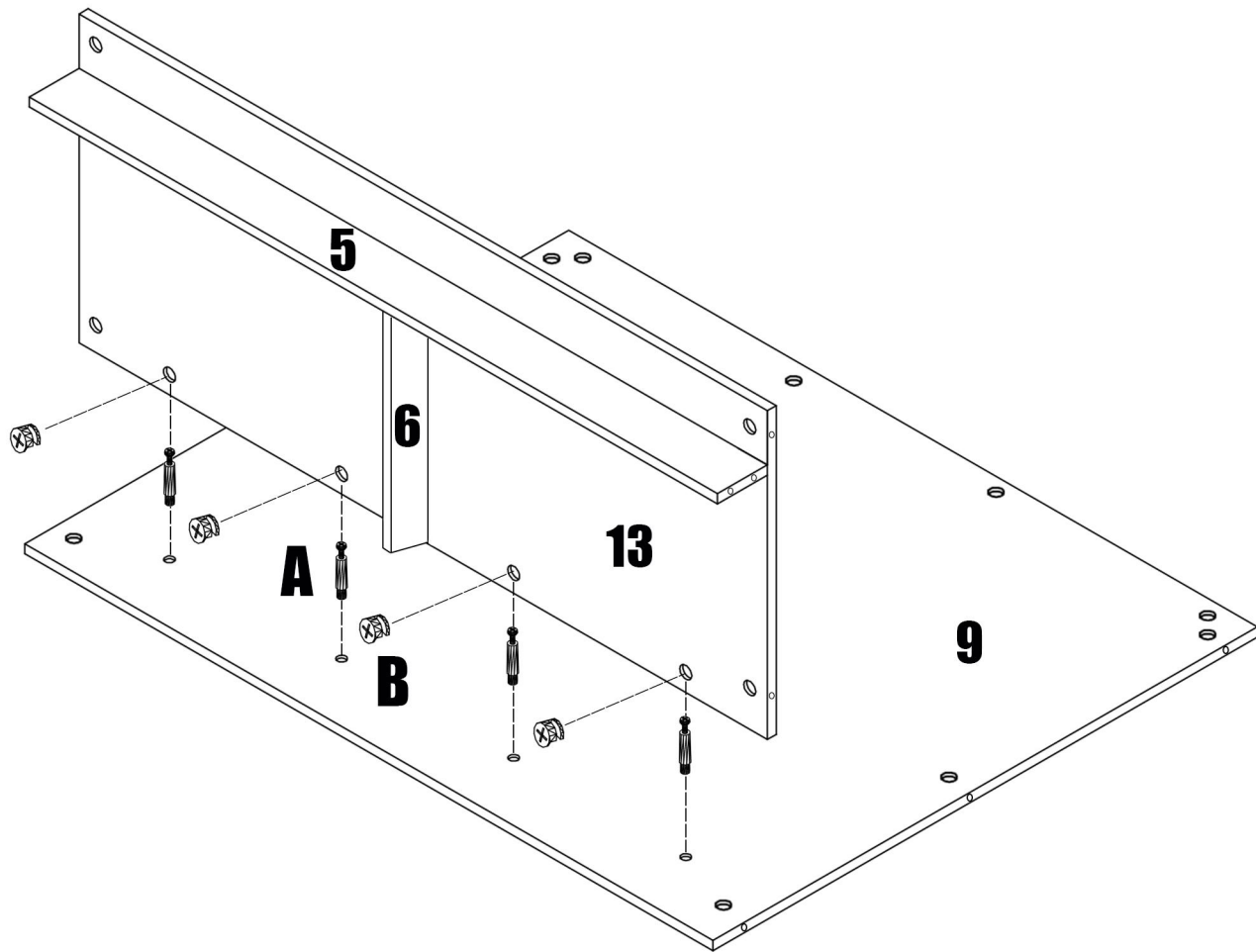
Step 1



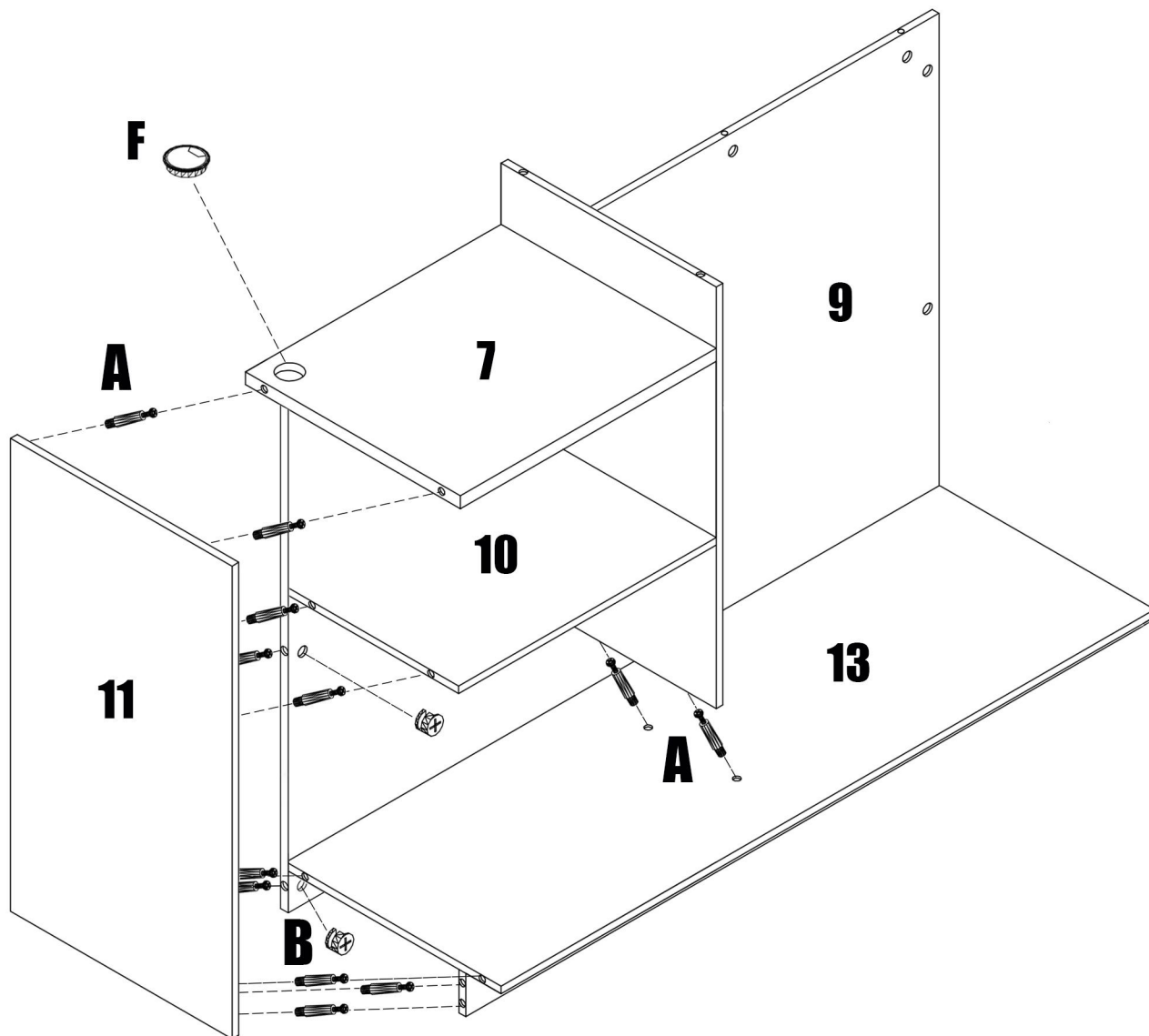
Step 2



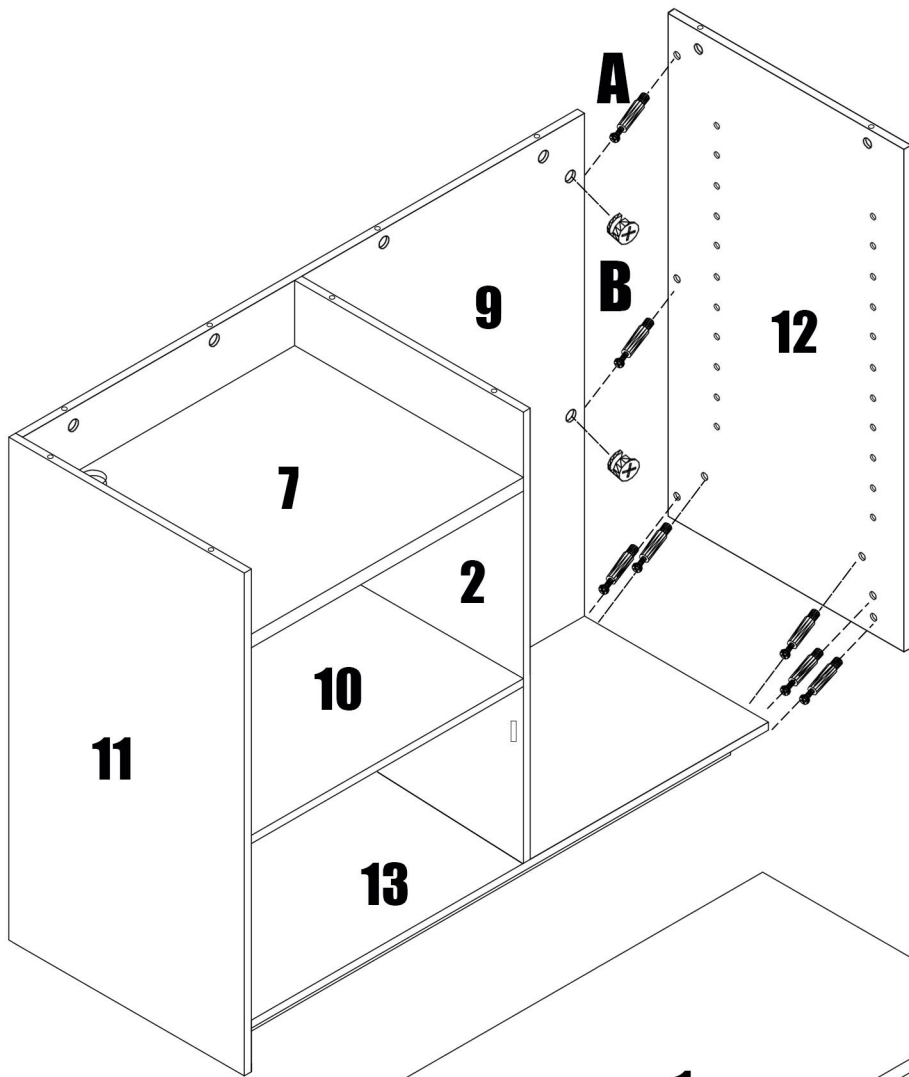
Step 3



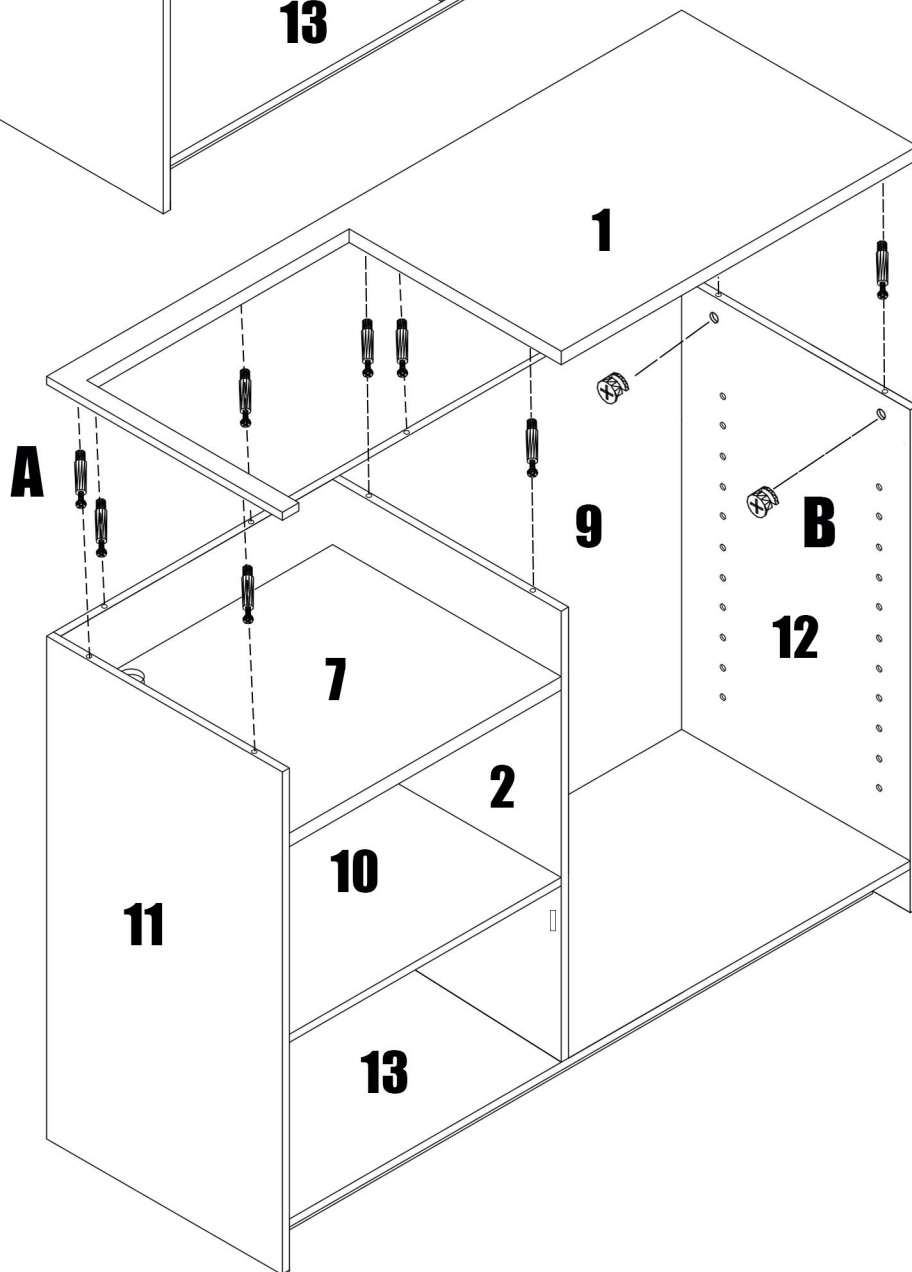
Step 4



Step 5



Step 6



Step 7

