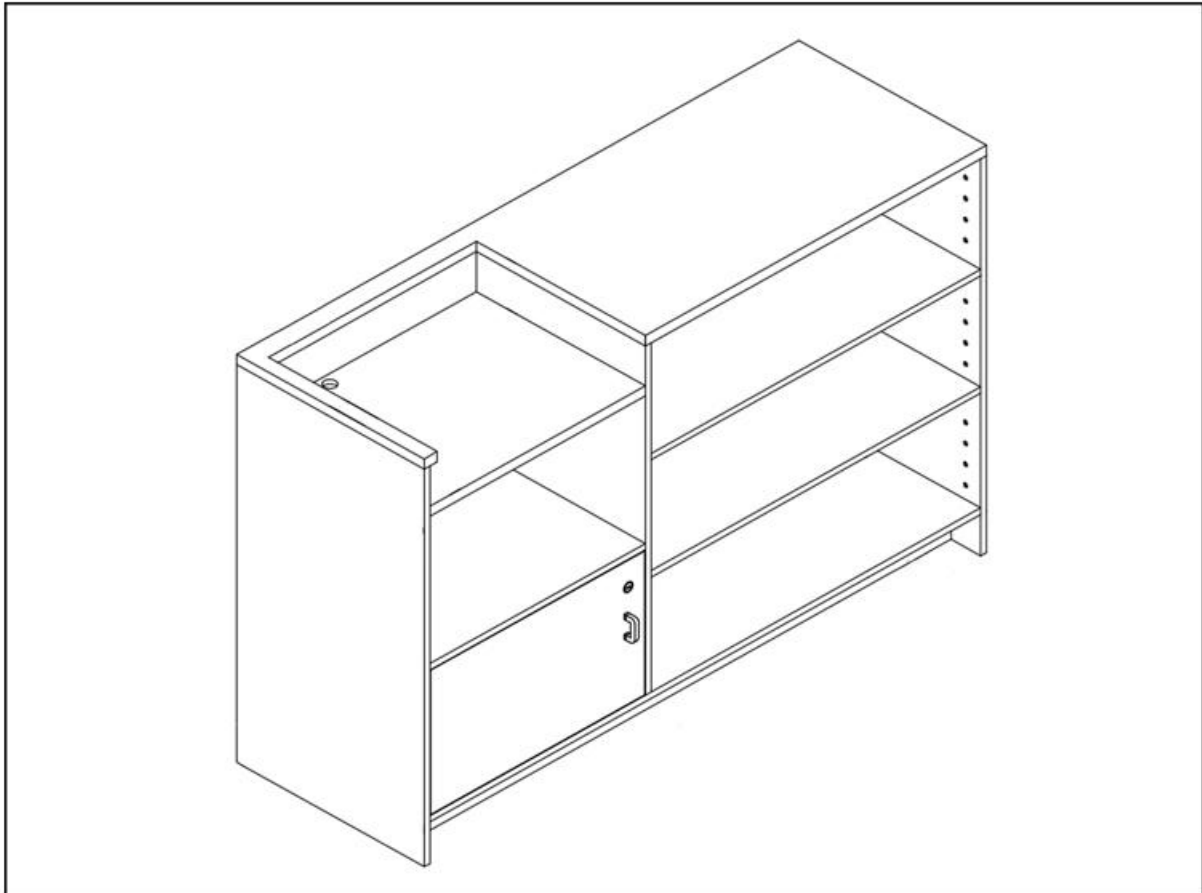
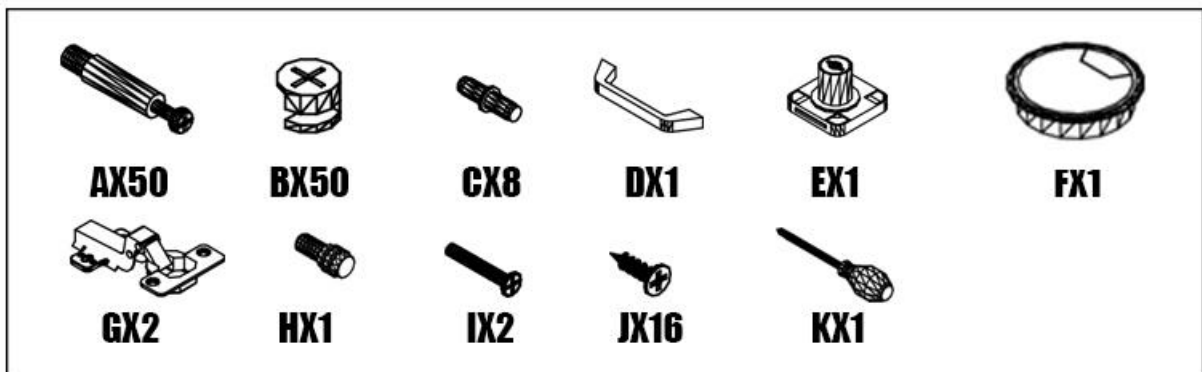


ASSEMBLY INSTRUCTIONS MANUAL

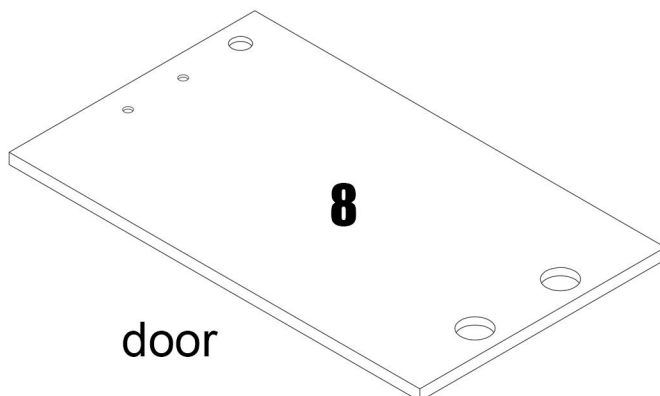
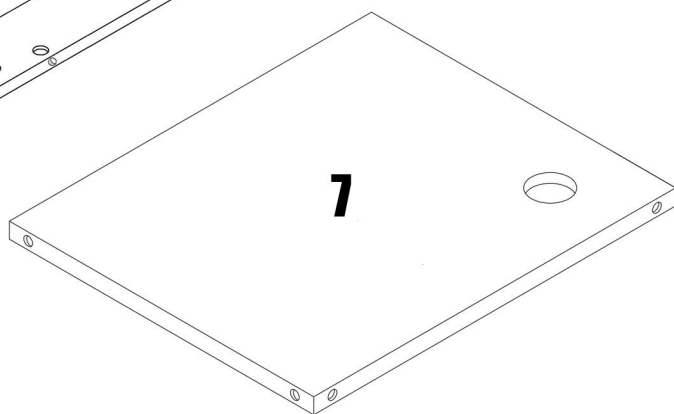
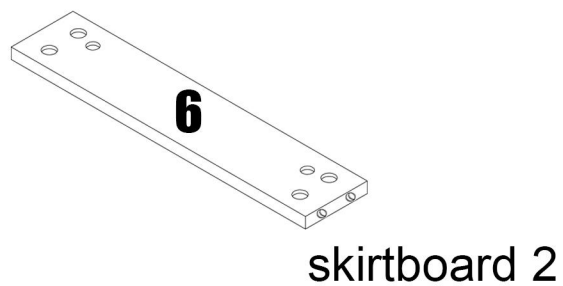
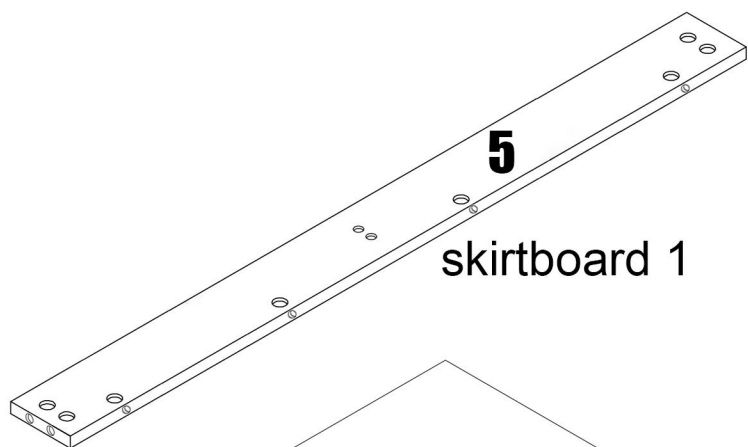
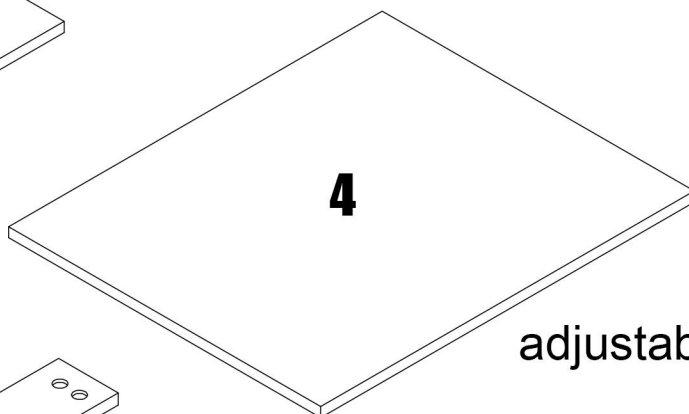
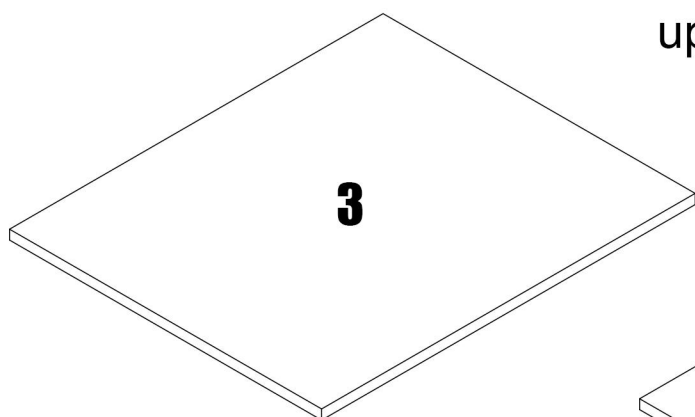
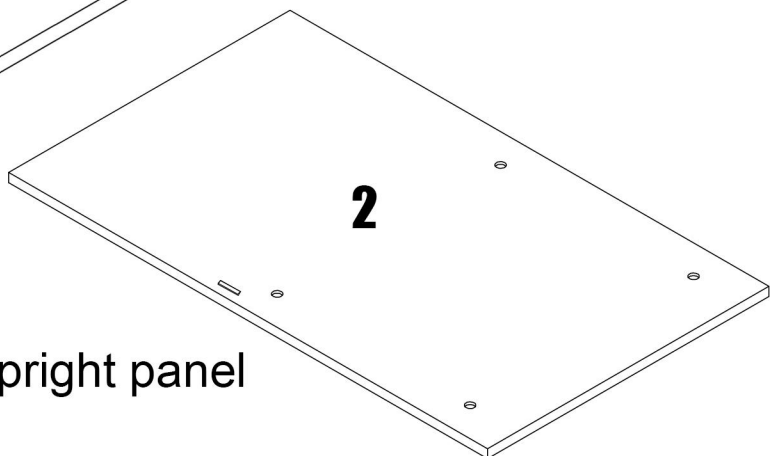
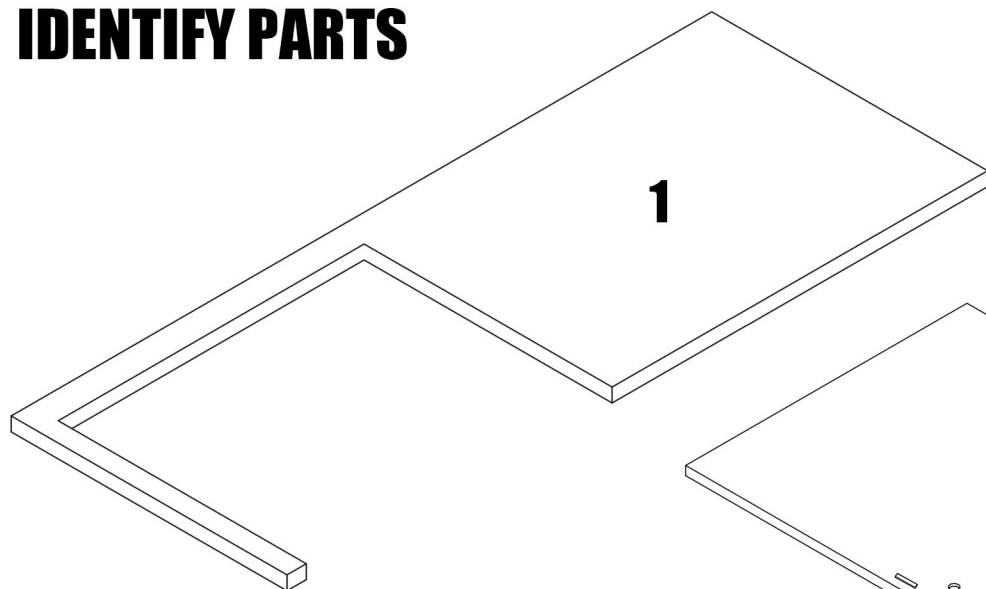
POS RETAIL KIOSK CHECK OUT SHOP COUNTER WITH TILT CUT OUT CT15-1500 1500X500X950MM



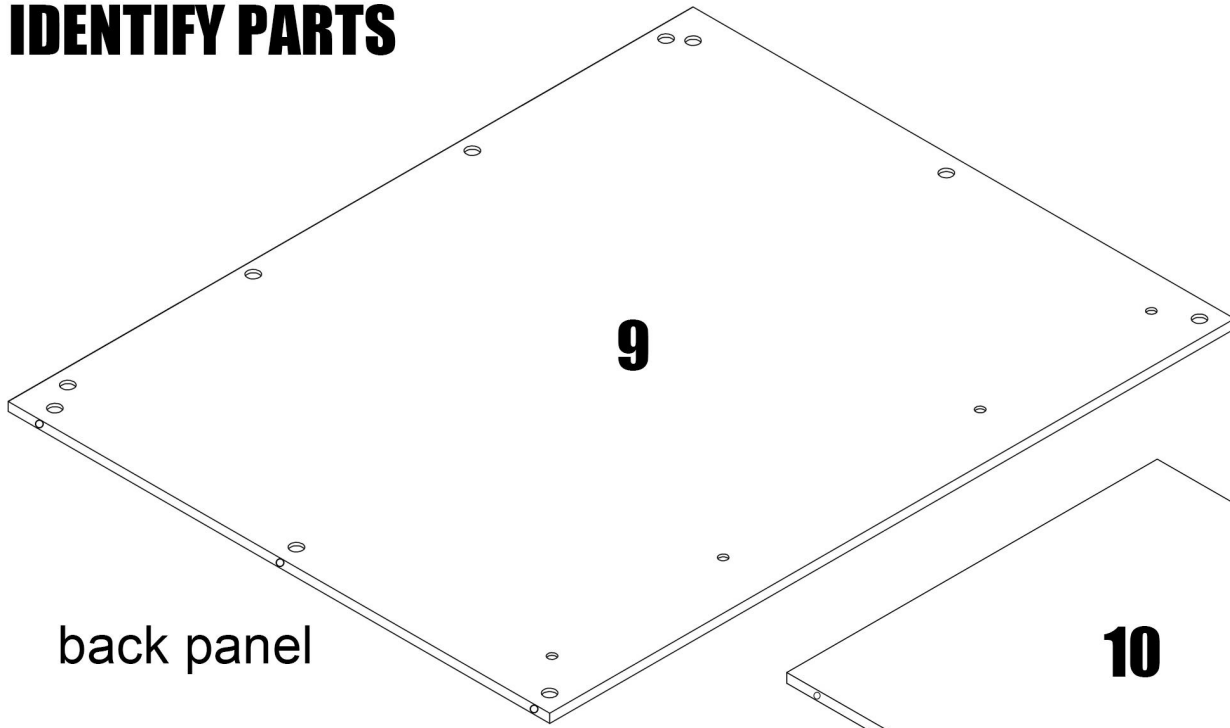
HARDWARE CONTENTS



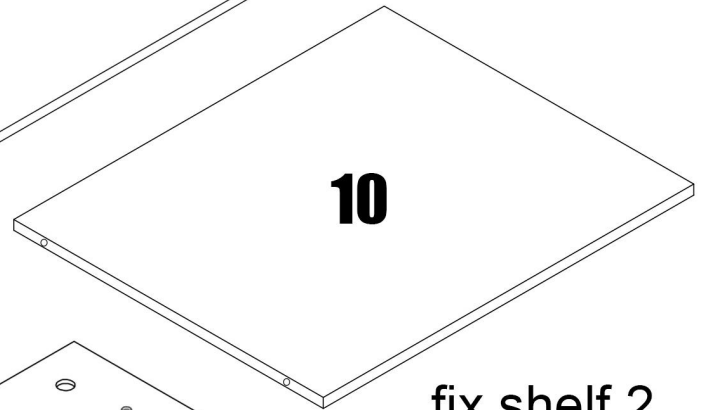
IDENTIFY PARTS



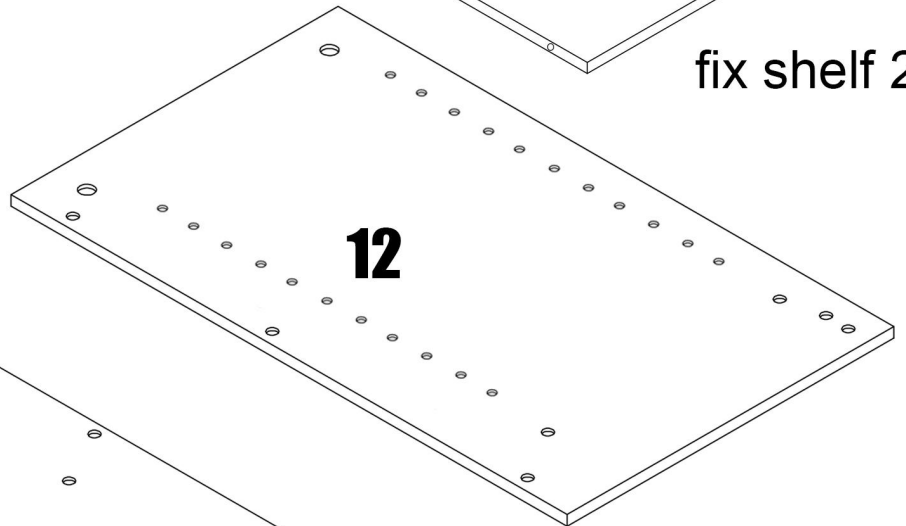
IDENTIFY PARTS



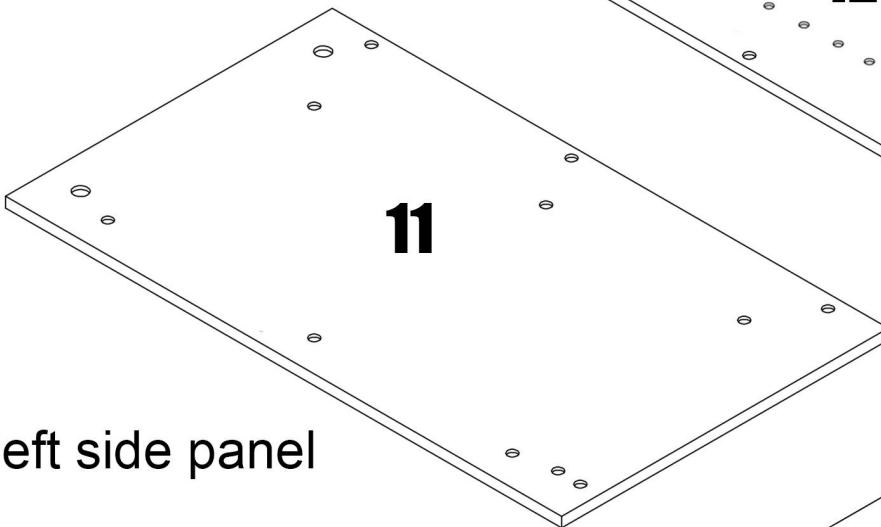
back panel



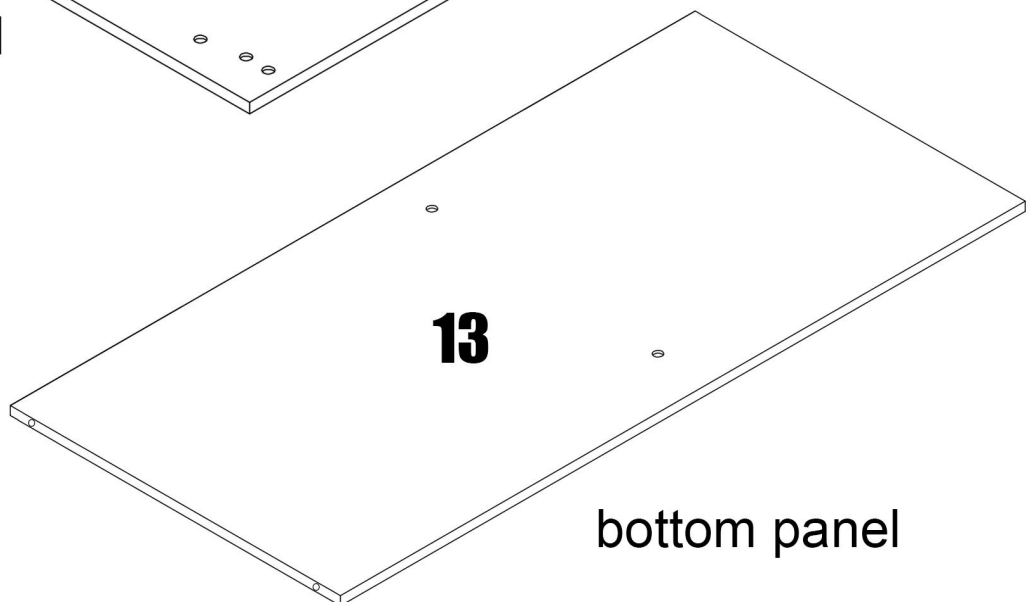
fix shelf 2



right side panel

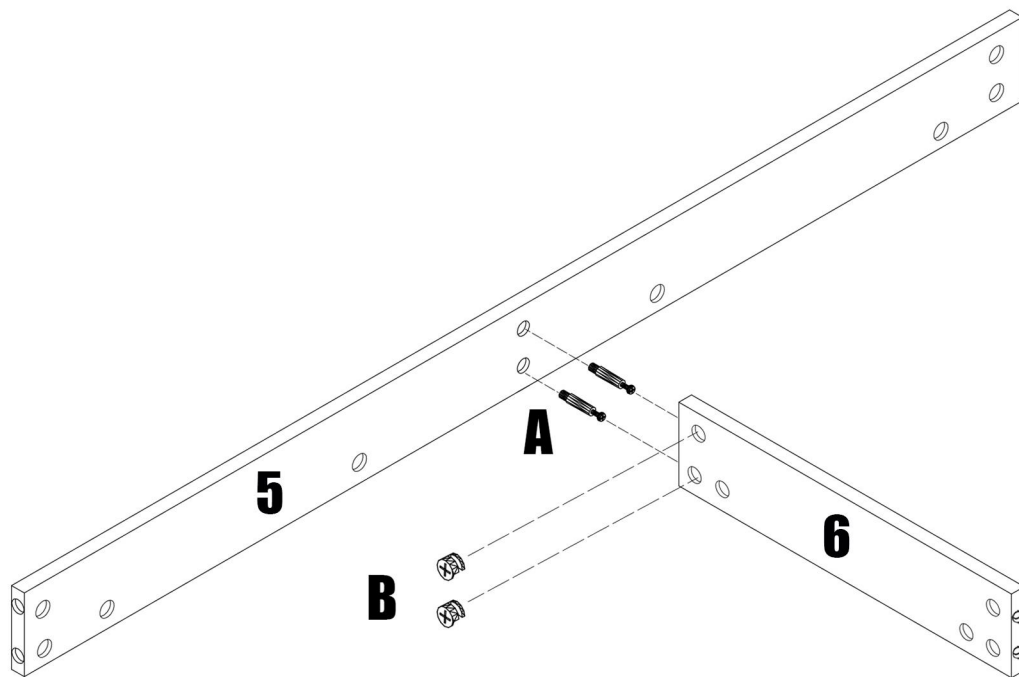


left side panel

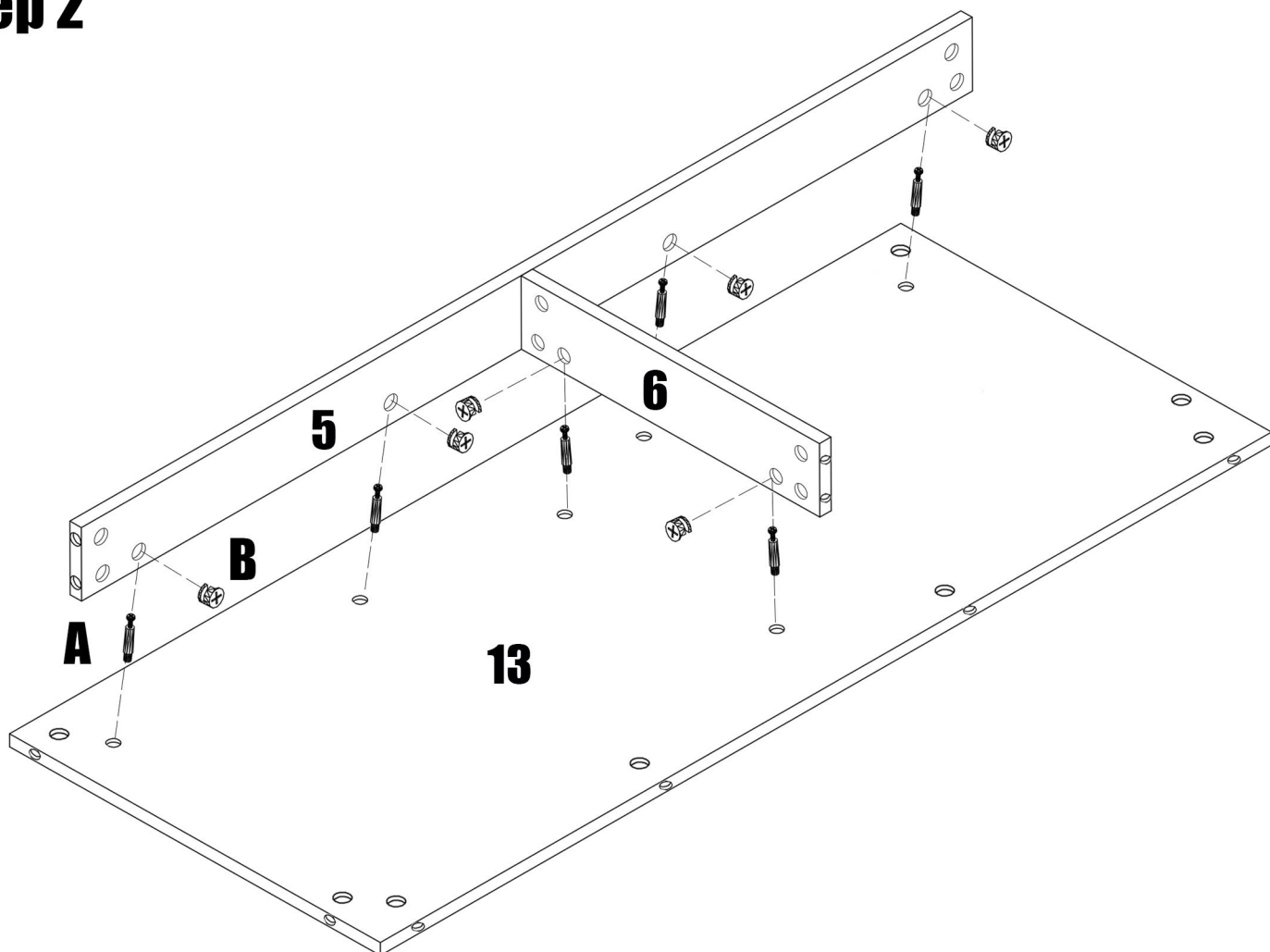


bottom panel

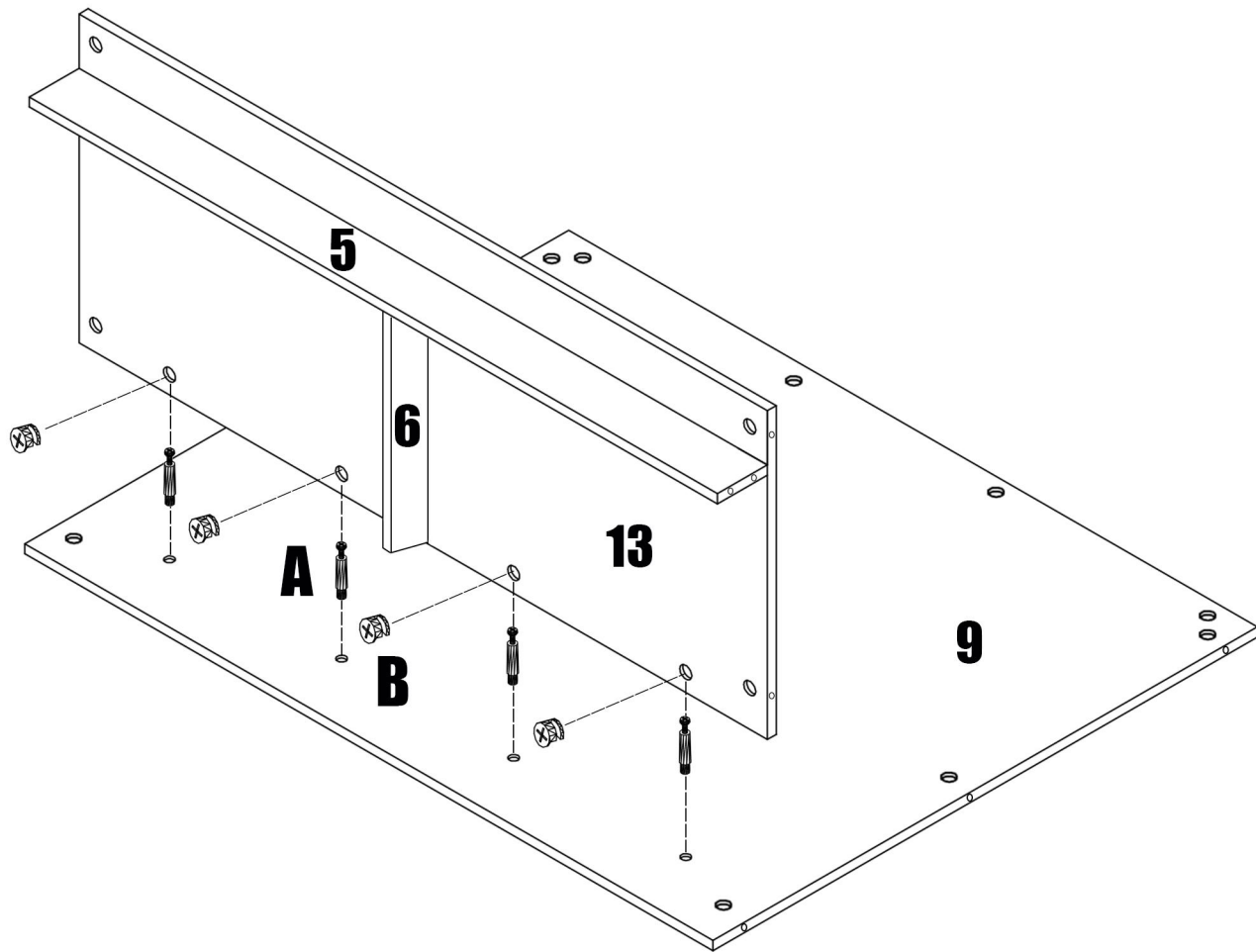
Step 1



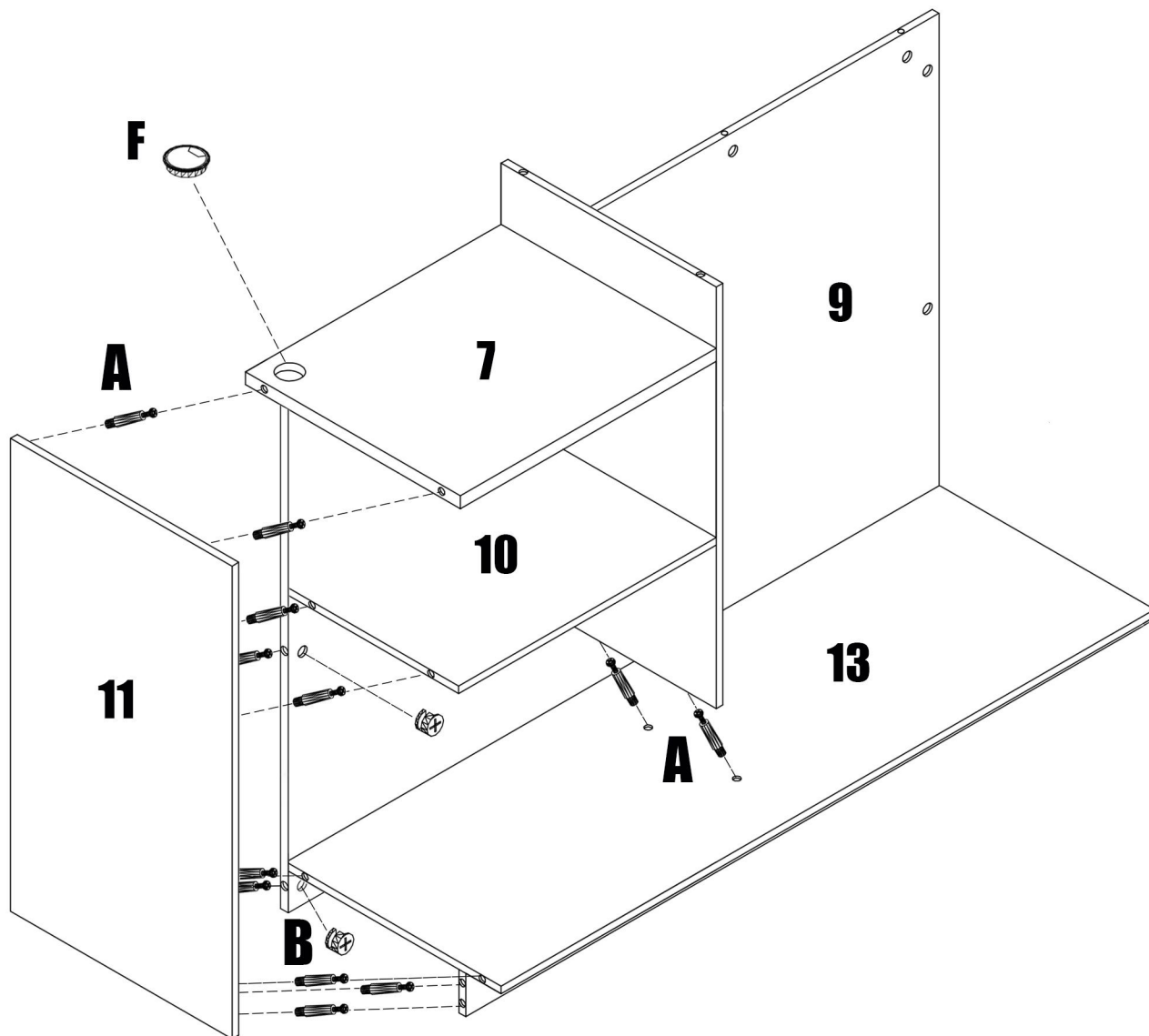
Step 2



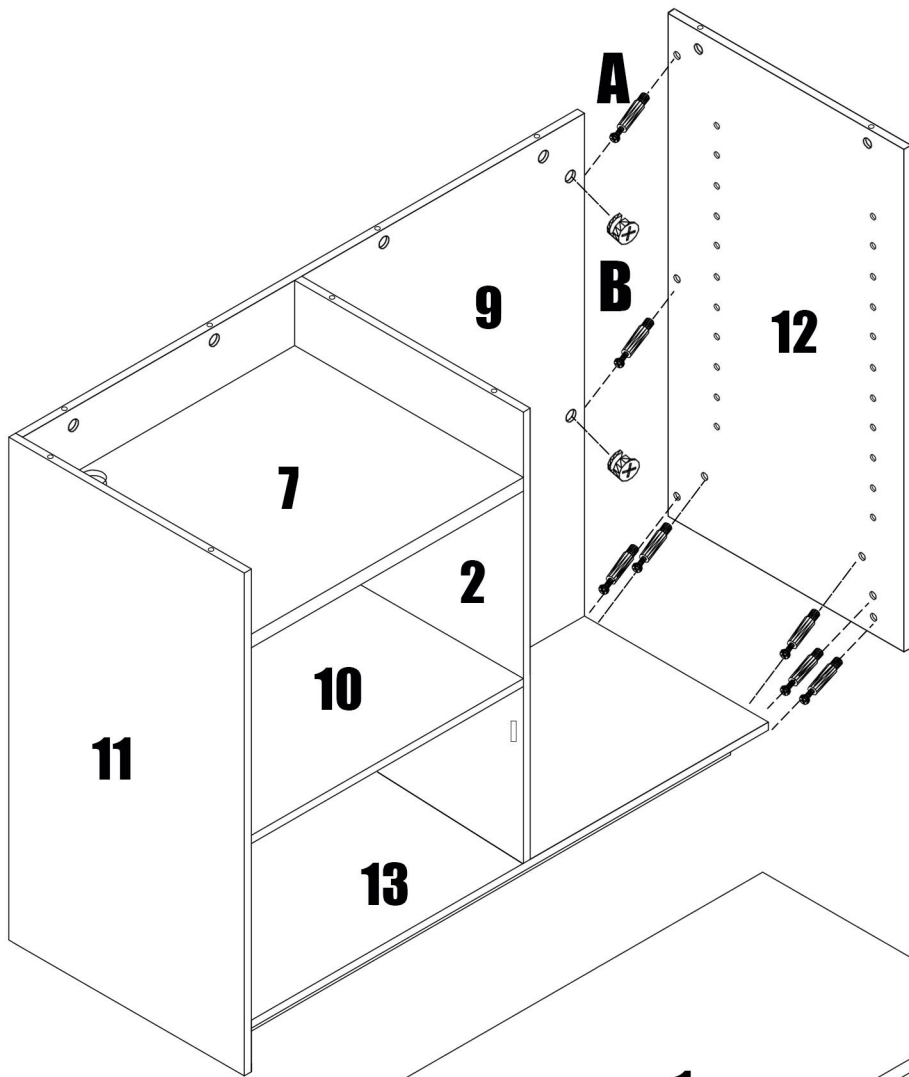
Step 3



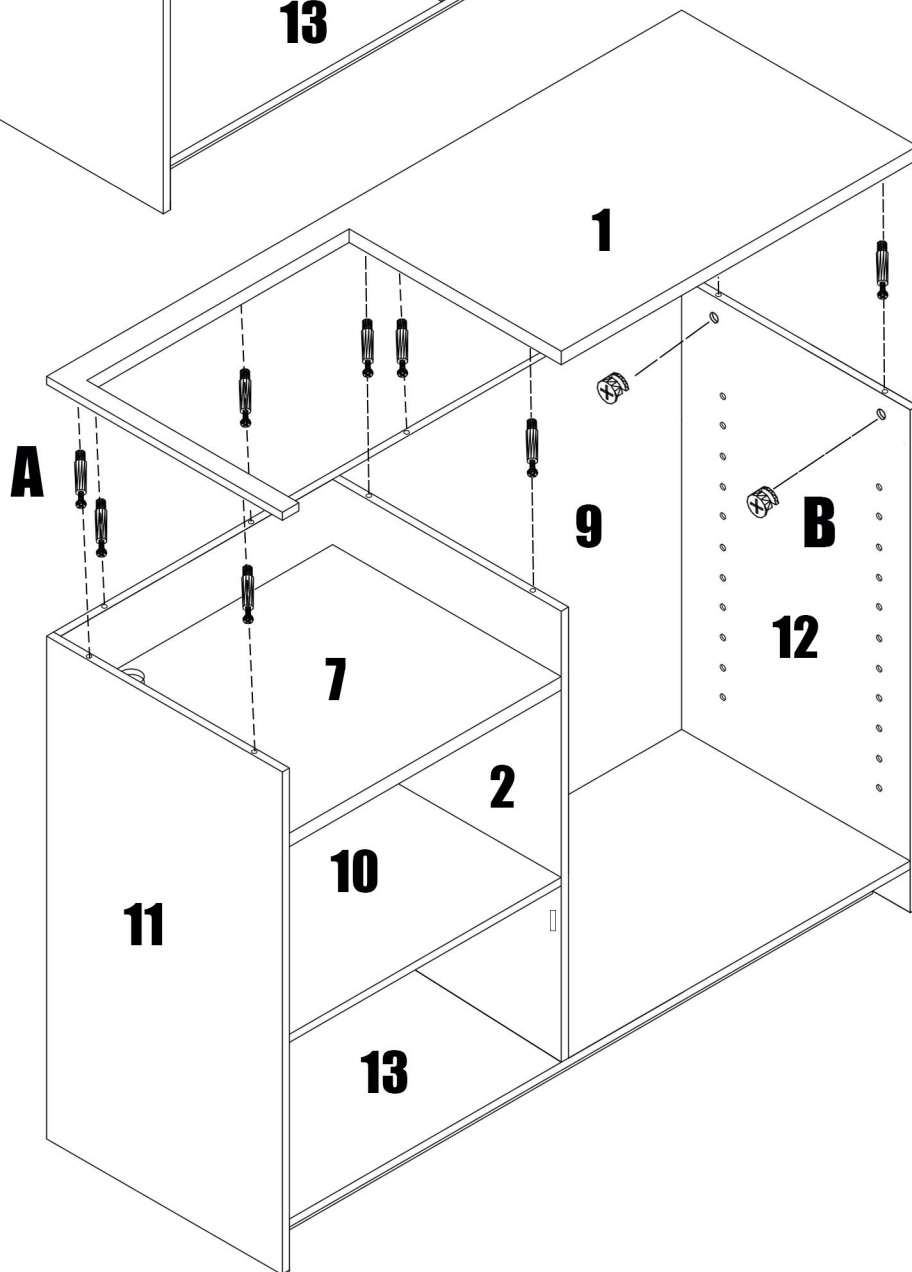
Step 4



Step 5



Step 6



Step 7

