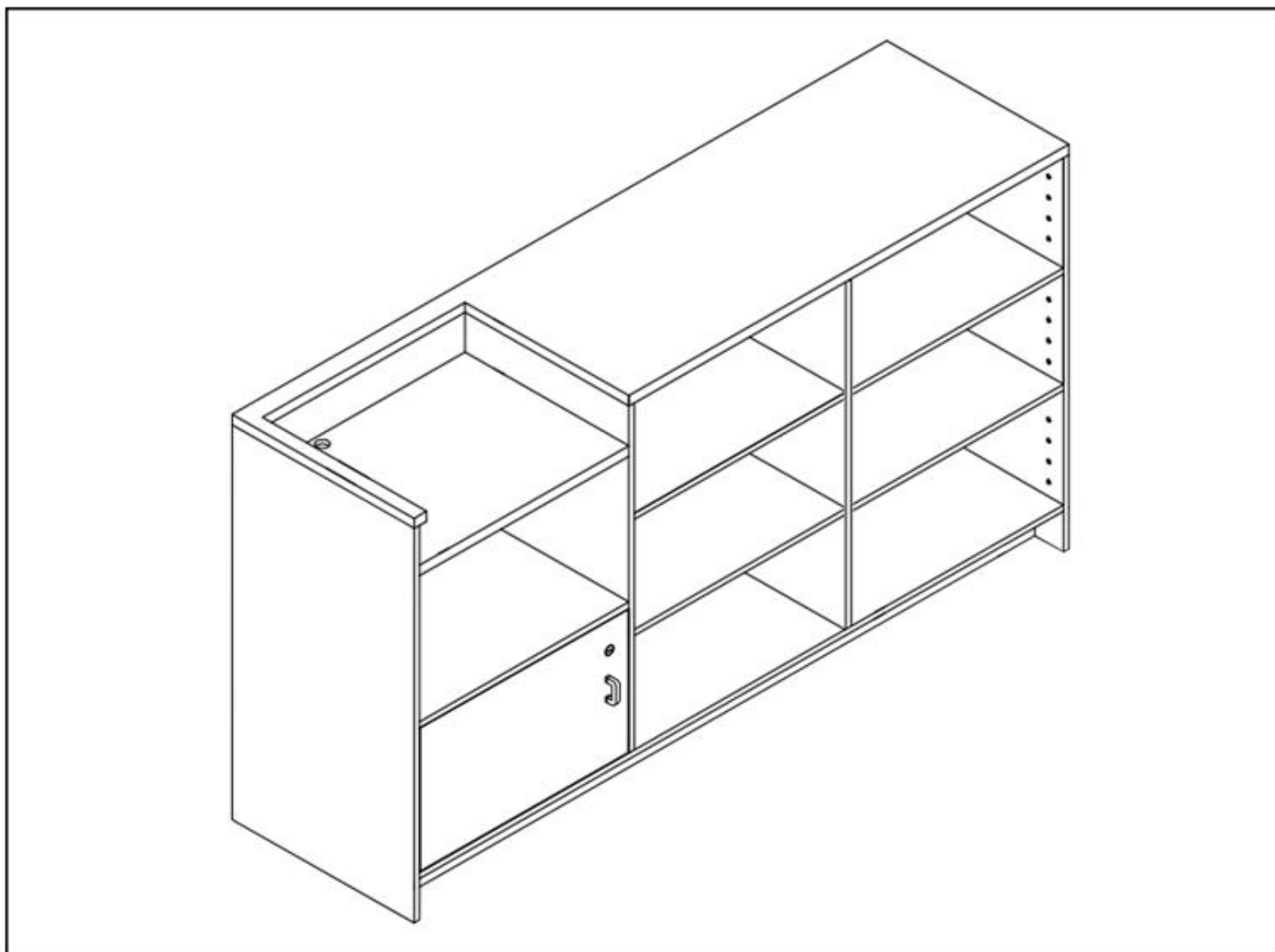
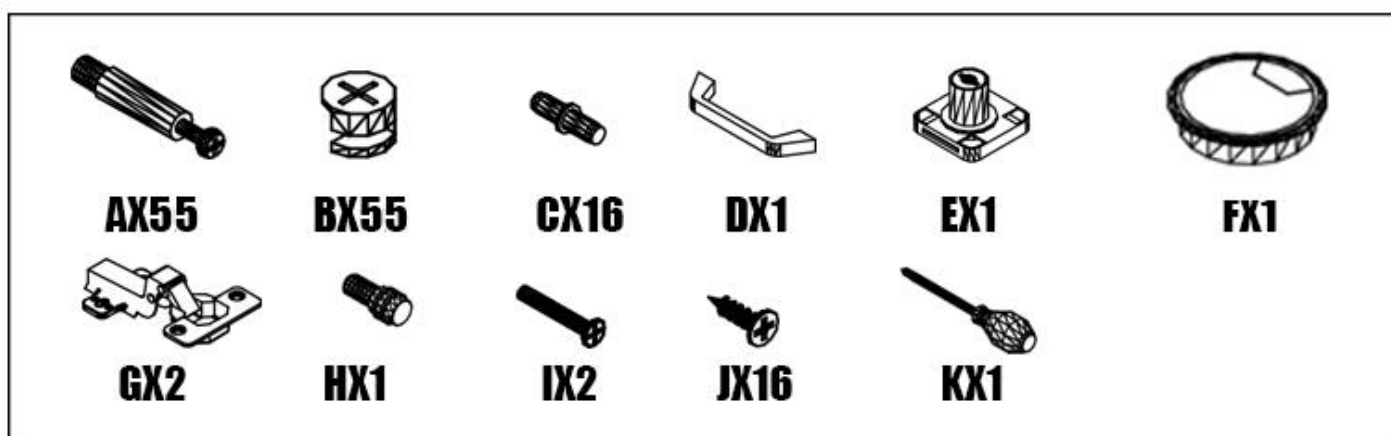


ASSEMBLY INSTRUCTIONS MANUAL

POS RETAIL KIOSK CHECK OUT SHOP COUNTER WITH TILT CUT OUT CT15-1800 1800X500X950MM



HARDWARE CONTENTS



IDENTIFY PARTS

top panel

1

2

upright panel 1

3

4

adjustable shelf

adjustable shelf

6

skirtboard 2

5

skirtboard 1

8

door

7

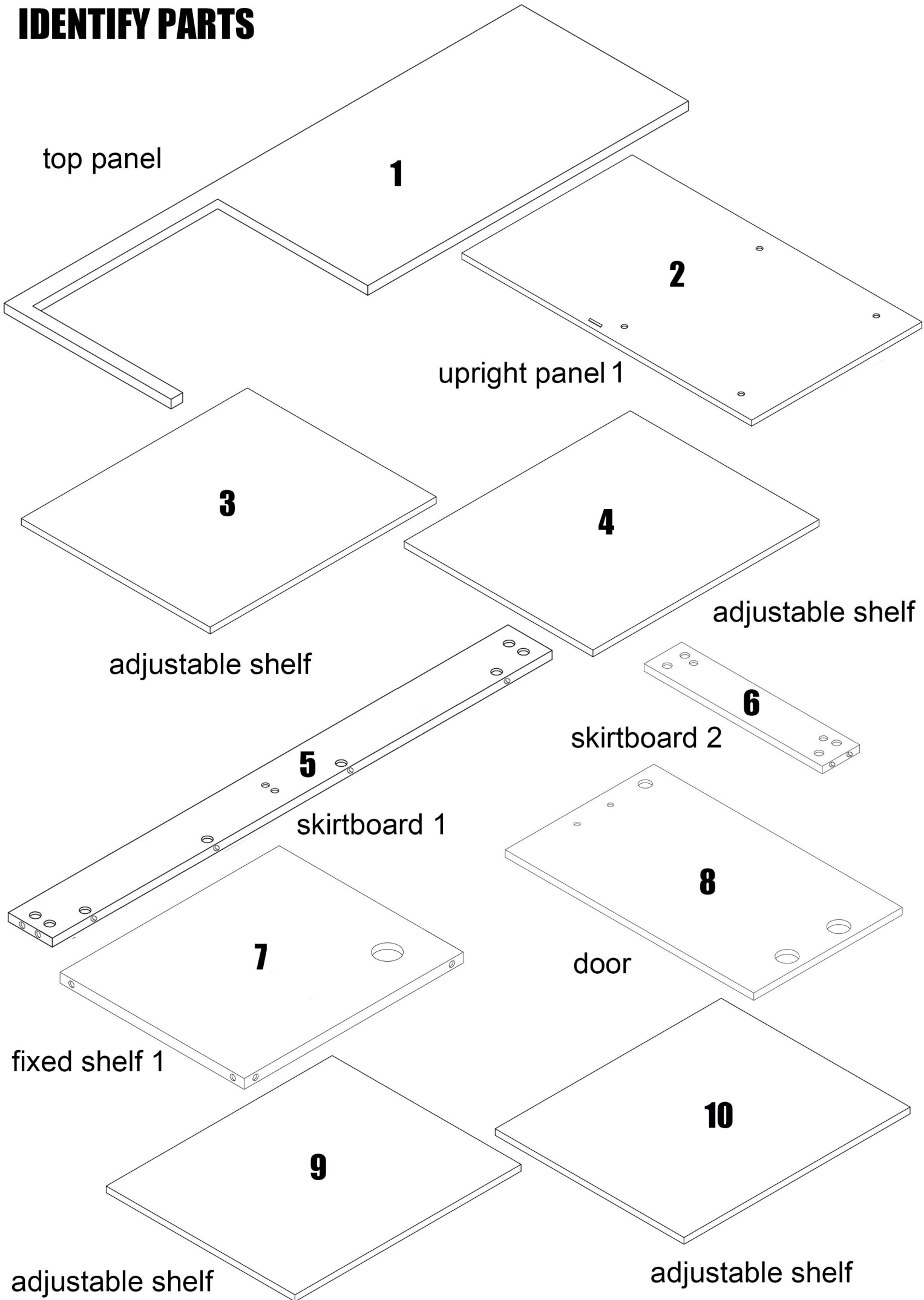
fixed shelf 1

9

10

adjustable shelf

adjustable shelf



IDENTIFY PARTS

11

back panel

12

fix shelf 2

13

left side panel

14

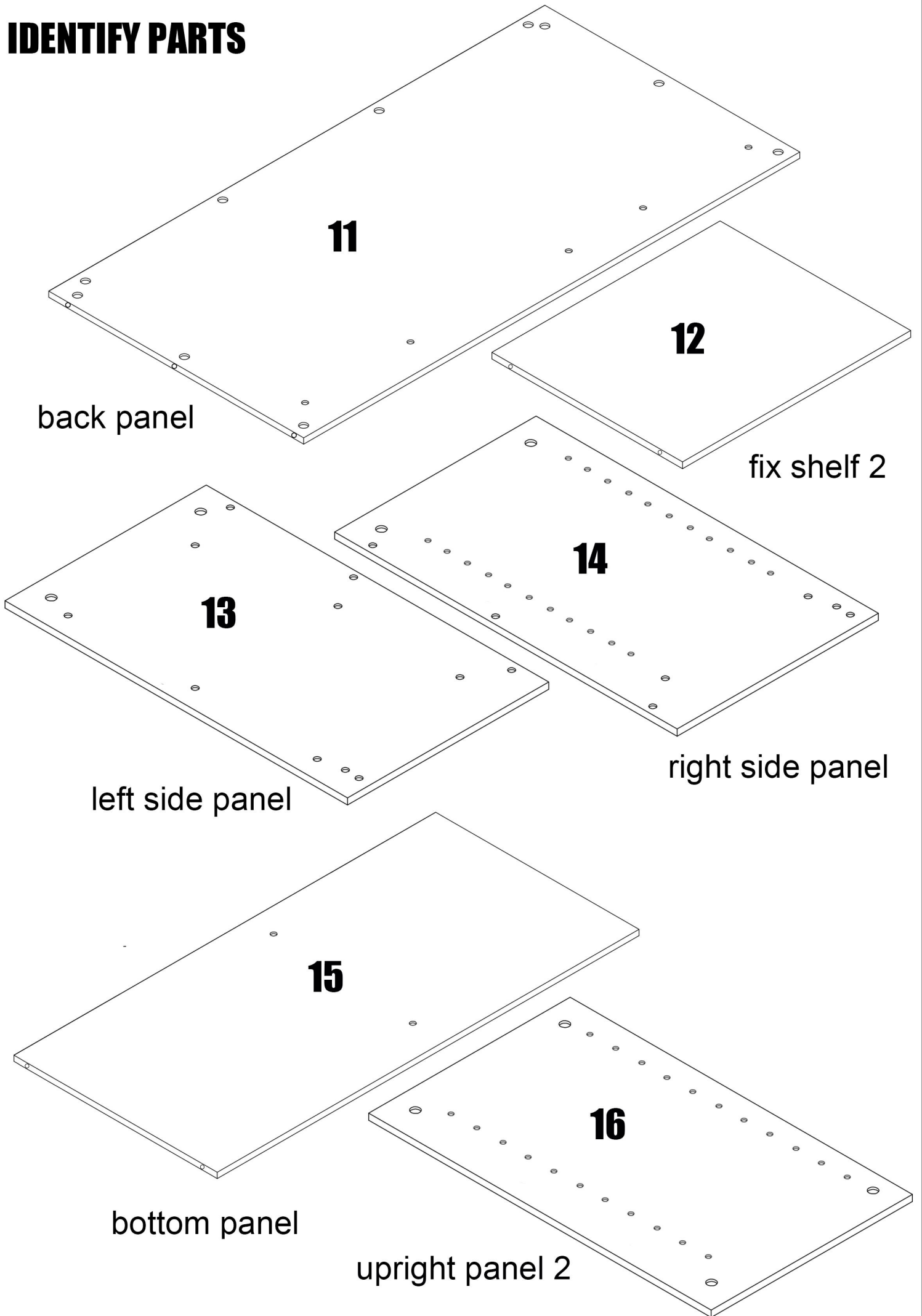
right side panel

15

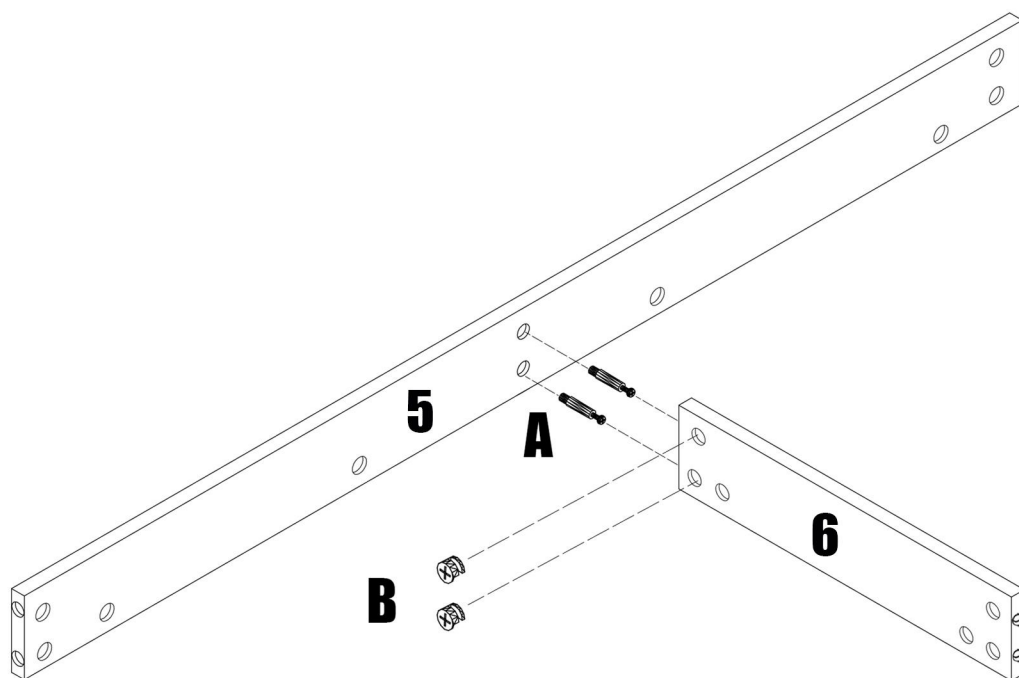
bottom panel

16

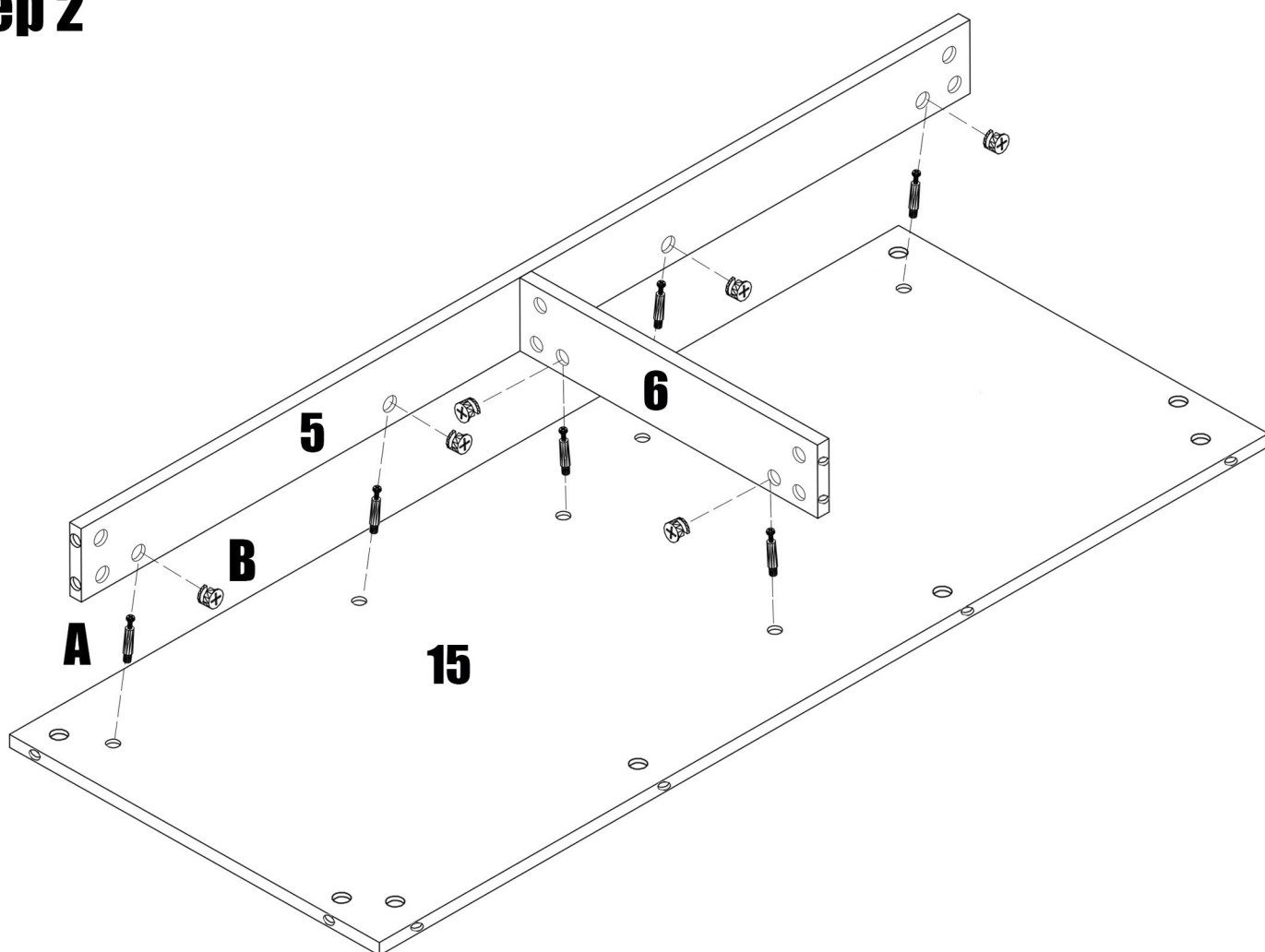
upright panel 2



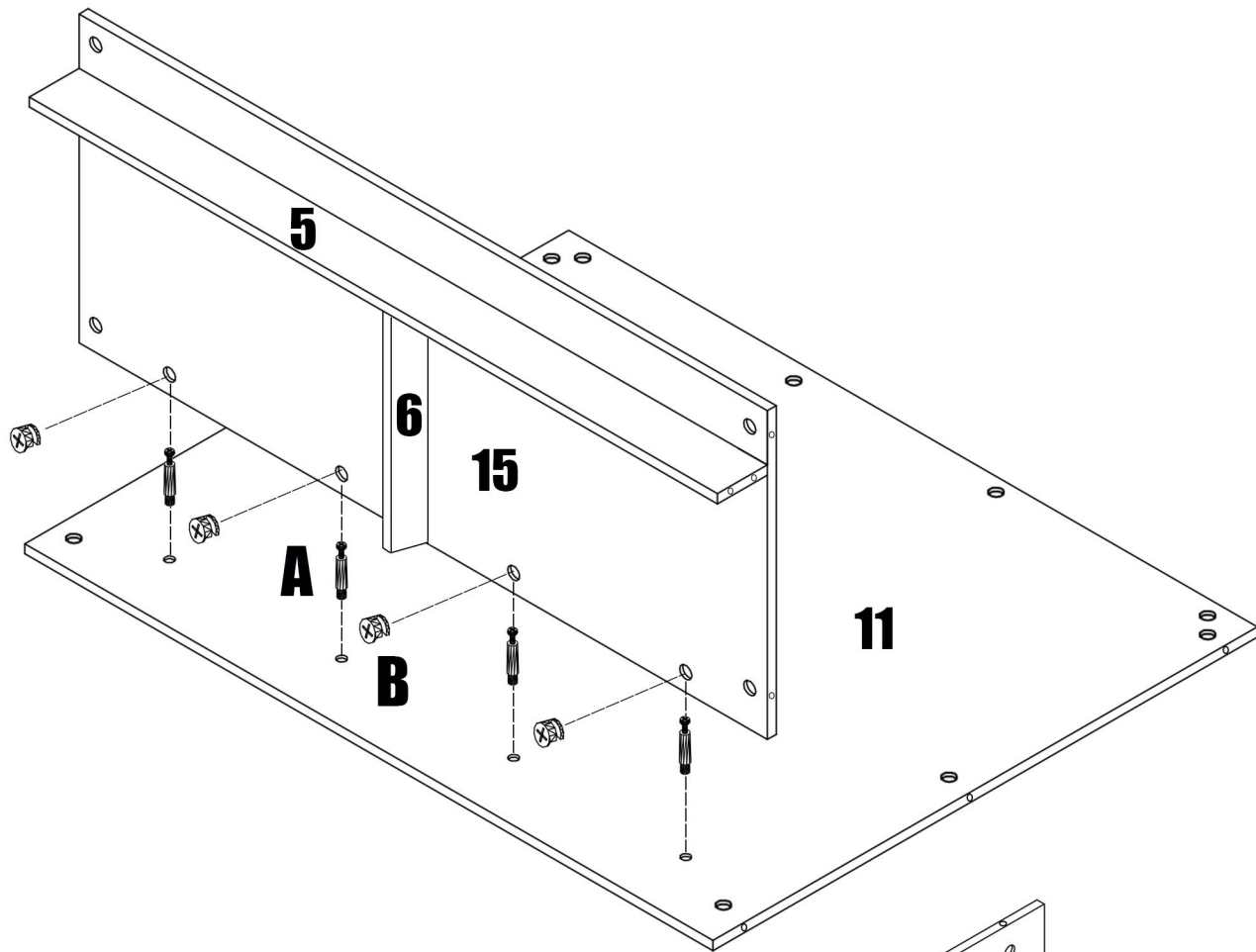
Step 1



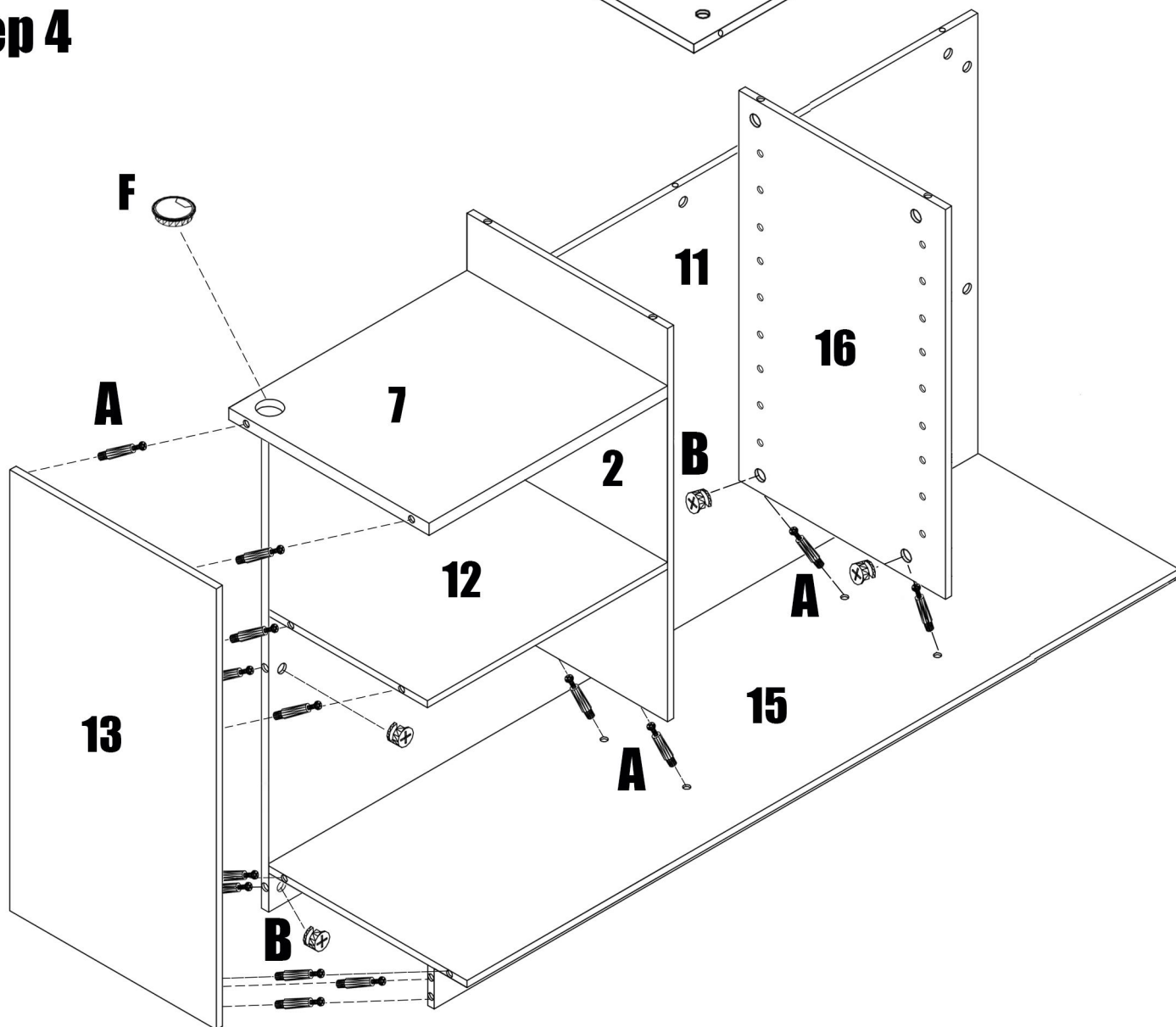
Step 2



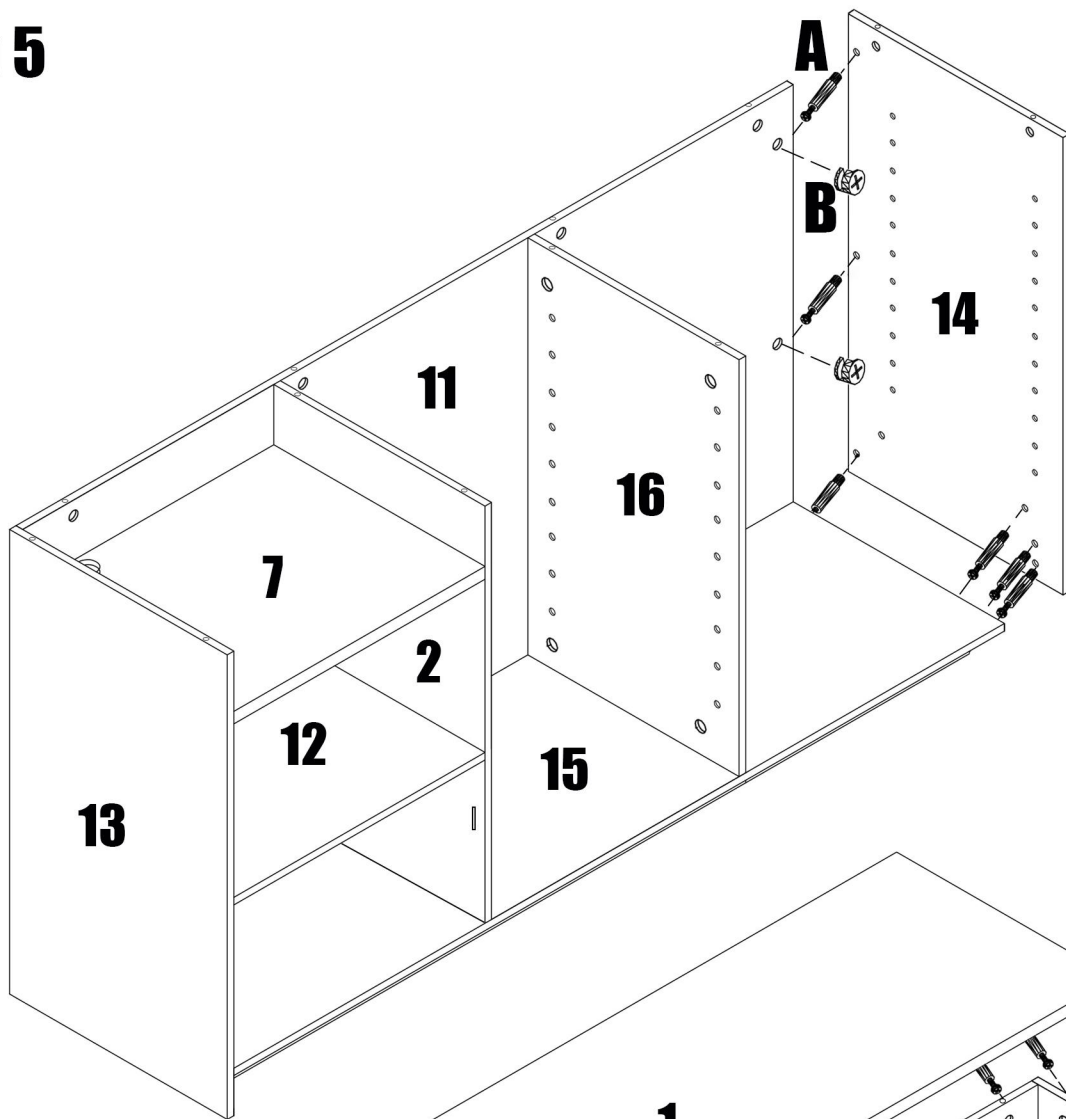
Step 3



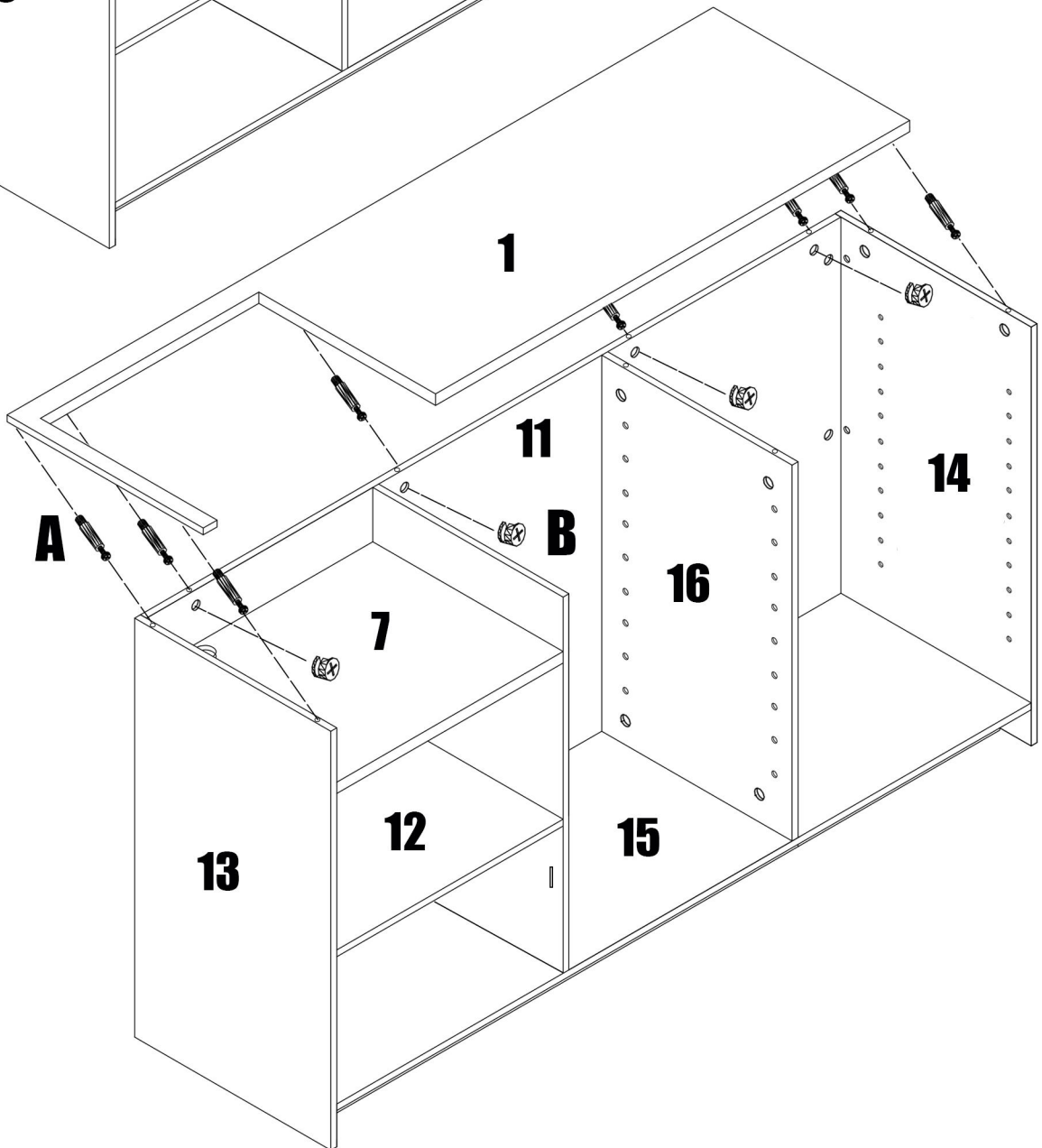
Step 4



Step 5



Step 6



Step 7

