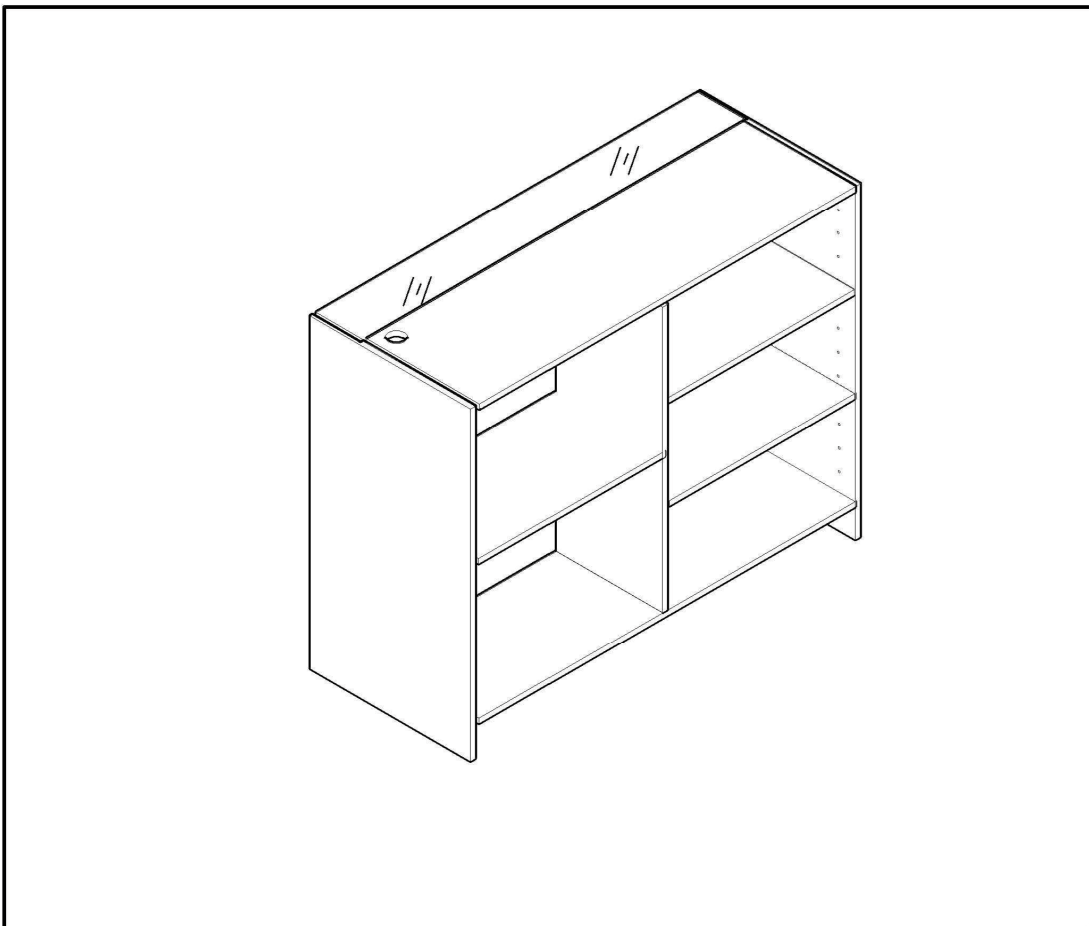


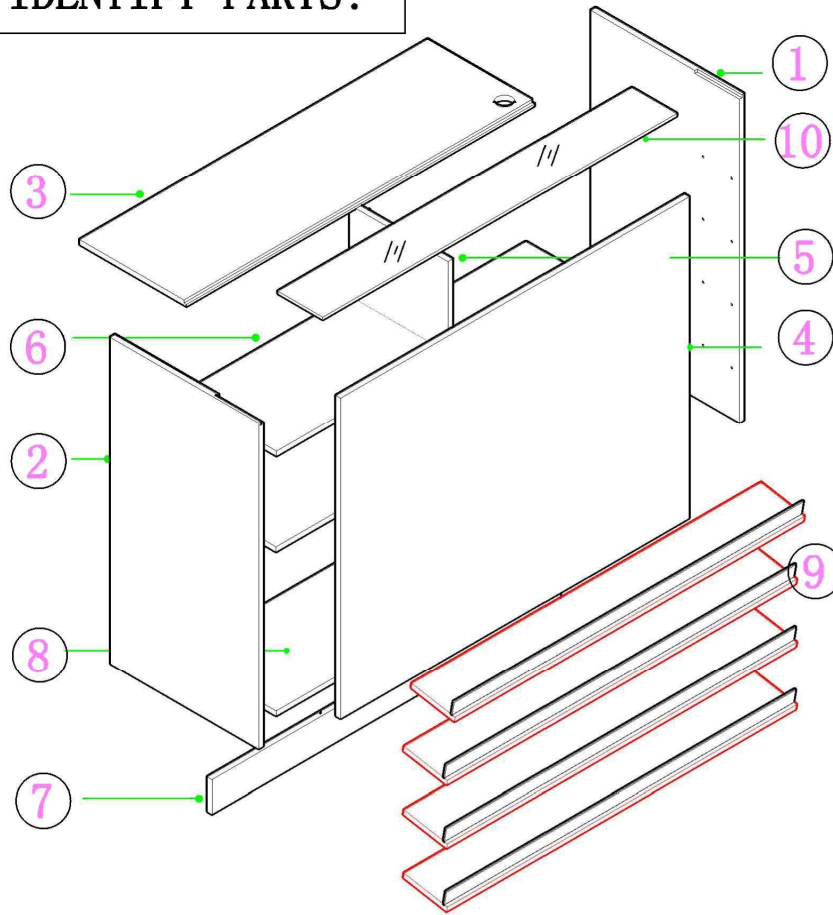
ASSEMBLY INSTRUCTIONS MANUAL

LUXURY DISPLAY COUNTER

SW705-1500W 1500mm (D) × 500mm (W) × 950mm (H)



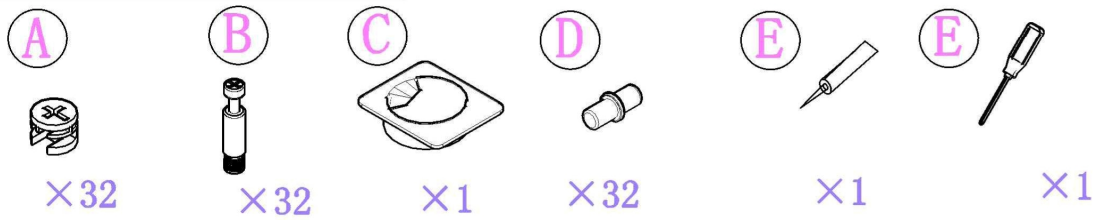
IDENTIFY PARTS:



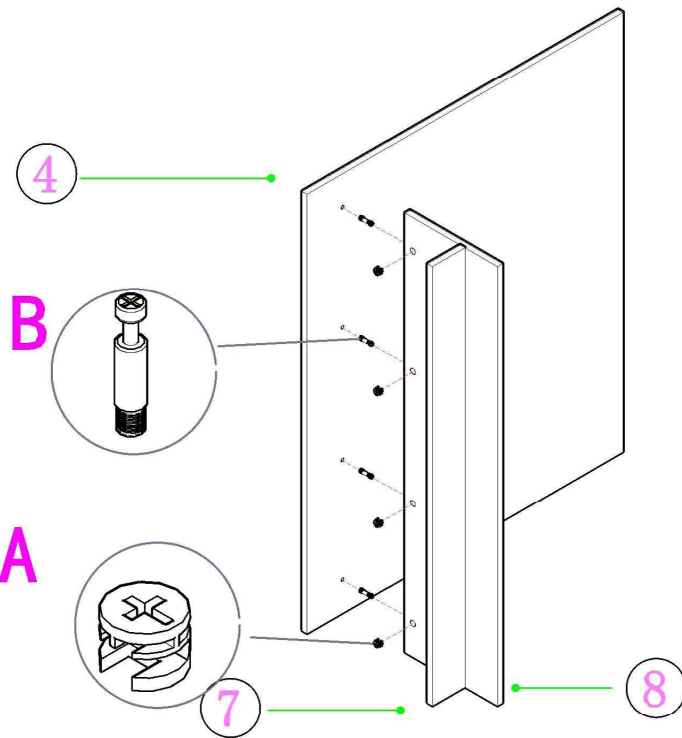
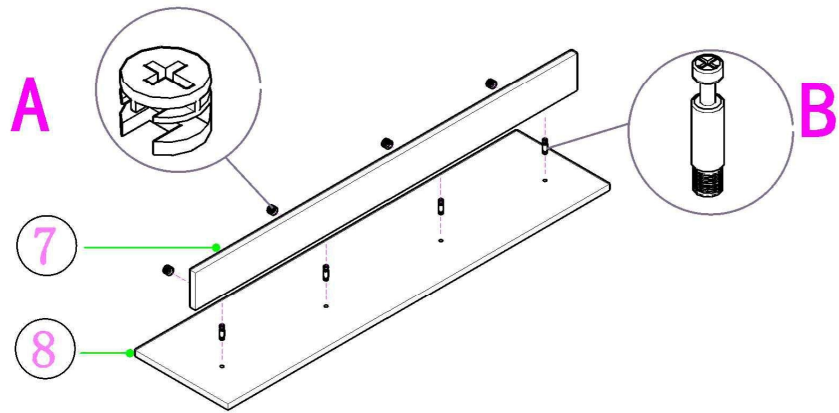
Please check below measurement sizes to identify parts:

Item	Size	Qty
1	950*500*15	1
2	950*500*15	1
3	1470*358*15	1
4	1470*934*15	1
5	819*284*15	1
6	726*283*15	3
7	1470*100*15	1
8	1470*284*15	1
9	1469*198*18	4
10	1486*150*8	1

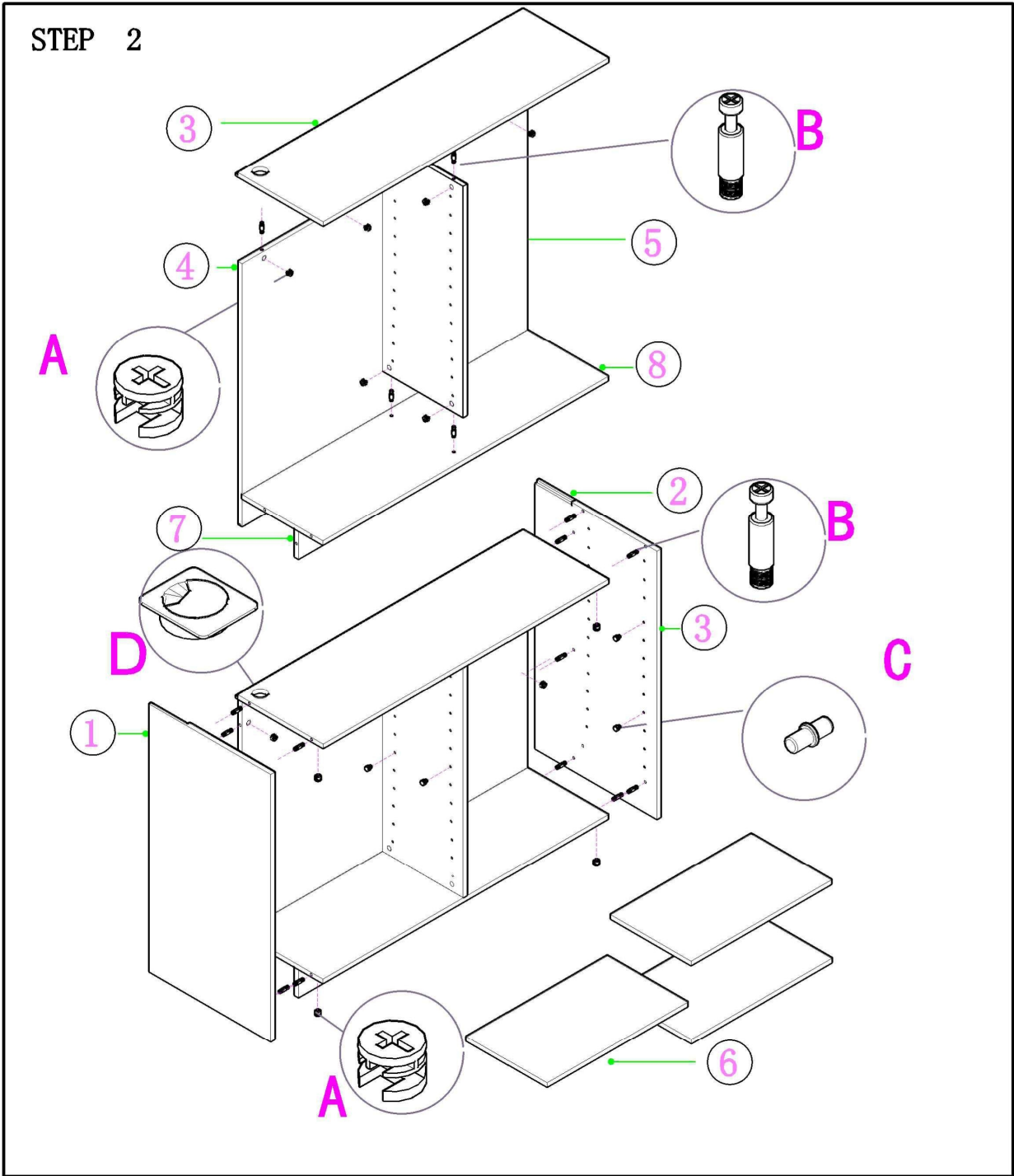
HARDWARE CONTENTS:



STEP 1



STEP 2



STEP 3

