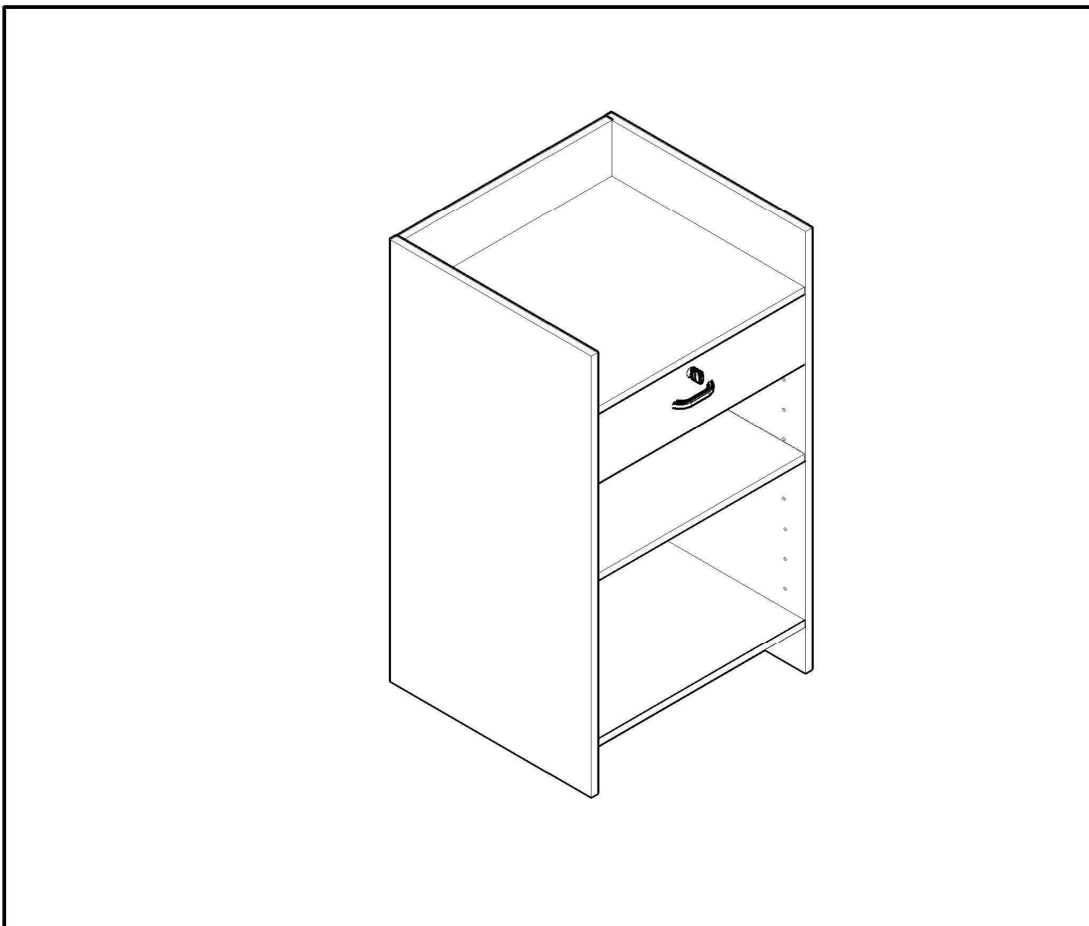


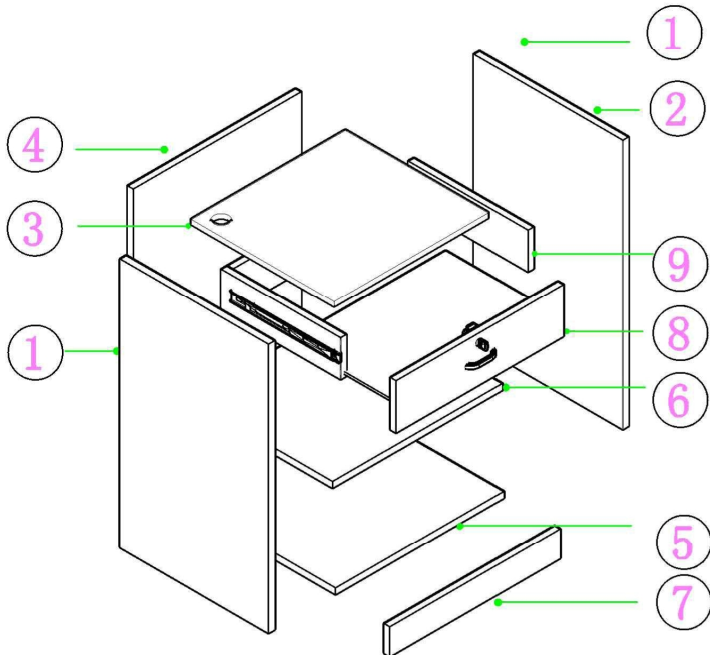
ASSEMBLY INSTRUCTIONS MANUAL

CASH REGISTER COUNTER WITH DRAW

SW715W 550mm (D) × 500mm (W) × 950mm (H)



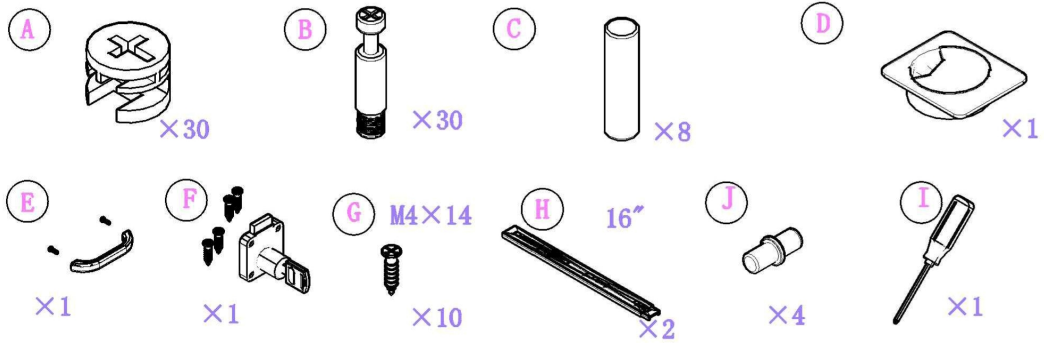
IDENTIFY PARTS:



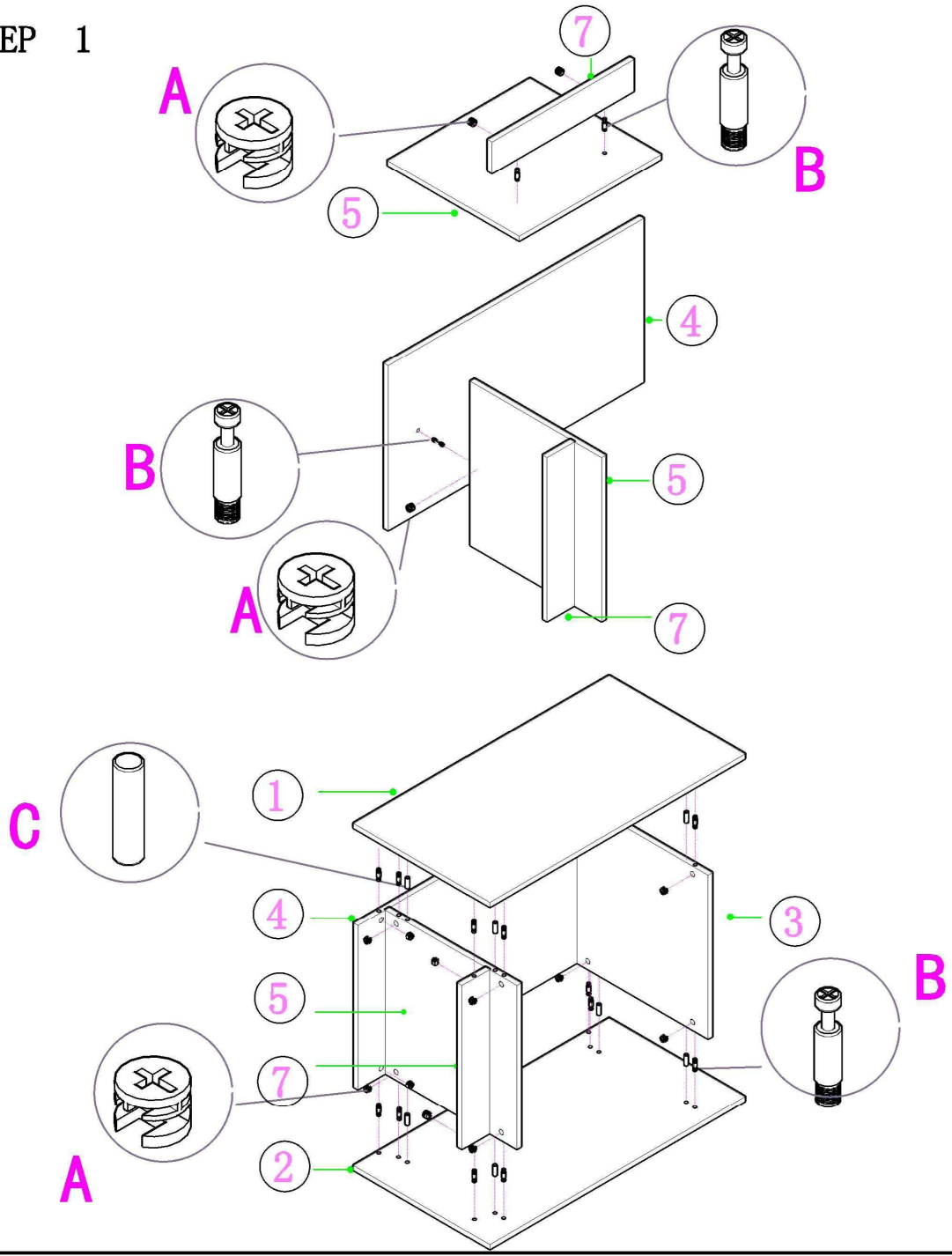
Please check below measurement sizes to identify parts:

Item	Size	Qty
1	950*500*18	1
2	950*500*18	1
3	514*481*18	1
4	950*514*18	1
5	514*481*18	1
6	513*478*18	1
7	514*100*18	1
8	510*150*18	1
9	400*120*18	2
10	452*120*18	1
11	462*392*5	1

HARDWARE CONTENTS:



STEP 1



STEP 2

